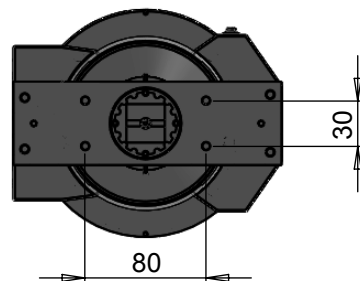
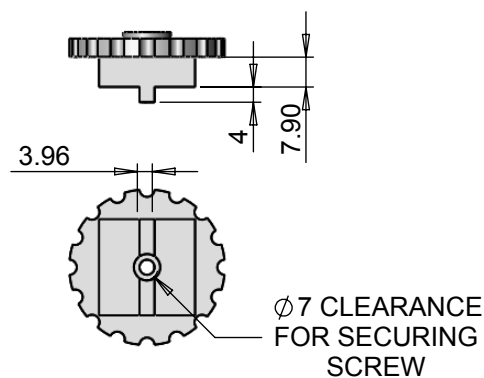


NAMUR BLOCK FITTED



REV	DRAWN	DATE	CHK'D	ECO
	PT	25.10.12		12-1945

UNLESS OTHERWISE SPECIFIED:  
 DIMENSIONS ARE IN MILLIMETERS  
 SURFACE FINISH: 3.2 microns  
 TOLERANCES:  
 LINEAR: ±0.25mm  
 ANGULAR: ±0.5°

TITLE:  
 VSD Unit - Dimensional Drawing -  
 With NAMUR Size 1 or 2 Kit

This private & confidential drawing is the property of Imtex Controls Limited, Tonbridge, UK and cannot be copied or reproduced without the express written permission of the Company.

**Imtex Controls Limited**  
 Unit 5A, Valley Industries, Hadlow Road  
 Tonbridge, Kent, TN11 0AH, United Kingdom  
 Tel:+44(0)1732-850360 Fax:+44(0)1732-852133  
 Website: www.imtex-controls.com

DEBUR AND  
 BREAK SHARP  
 EDGES  
 MATERIAL: 316SS  
 WEIGHT(g): 5.7kg

DWG NO.	<b>VSD-DIM002</b>	REV -
SCALE:1:5	SHEET 1 OF 1	STATUS A4