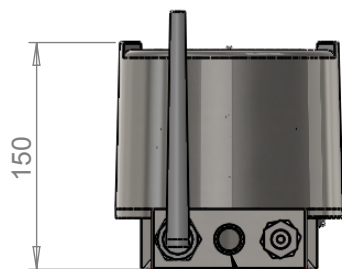
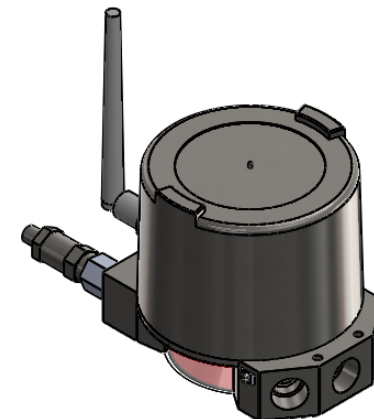
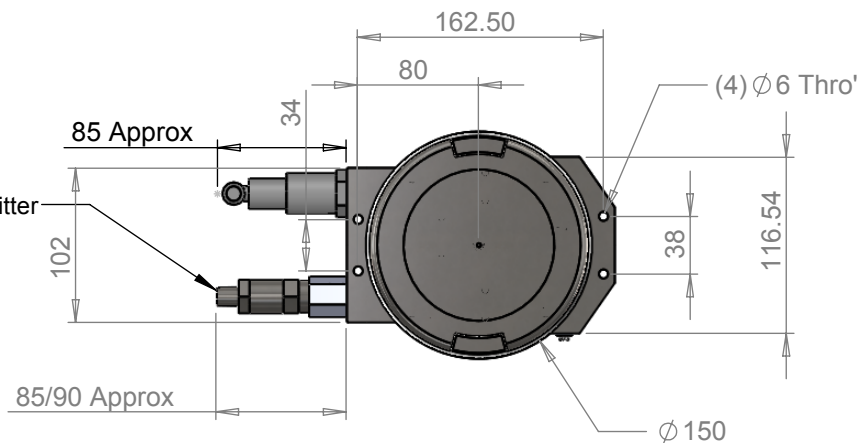
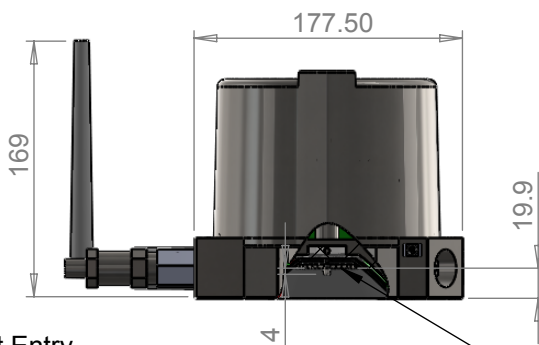


1/4"NPT Male
Connection for
Pressure Transmitter

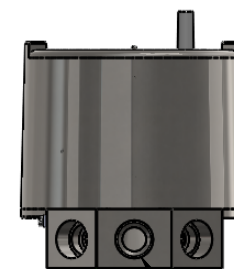


150

1 Available Conduit Entry
- Size M20 or 1/2"NPT

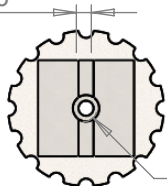
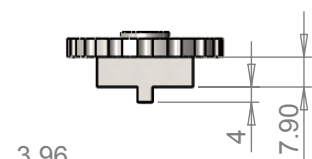


SEE OPTION SKETCH
FOR NAMUR VARIANT

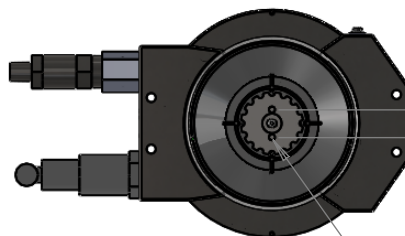


Up to 3 Conduit Entry
- Size Options M20, M25
1/2"NPT or 3/4"NPT

OPTION - NAMUR BLOCK FITTED



Ø7 CLEARANCE
FOR SECURING
SCREW



(2) Ø3.96 Pins

18.24

REV	DRAWN	DATE	CHK'D	ECO
	PT	25.10.16		16-1945

UNLESS OTHERWISE SPECIFIED:
DIMENSIONS ARE IN MILLIMETERS
SURFACE FINISH: 3.2 microns
TOLERANCES:
LINEAR: ±0.25mm
ANGULAR: ±0.5°

TITLE:

VSD Unit - Dimensional Drawing -
Pressure Transmitter & Bluetooth

This private & confidential drawing is the property
of Imtex Controls Limited, UK and cannot
be copied or reproduced without the express
written permission of the Company.

Imtex Controls Limited
Deeside, Flintshire
United Kingdom. Tel:+44(0)870-0340002

Website: www.imtex-controls.com

DEBUR AND
BREAK SHARP
EDGES

MATERIAL: 316SS

WEIGHT(g): 5.7kg

DWG NO.

VSD-DIM011

SCALE:1:5

SHEET 1 OF 1

REV
-
STATUS

A4