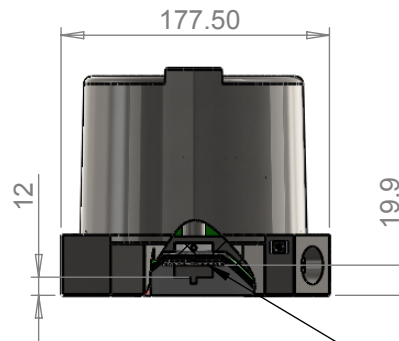


Up to 3 x Conduit Entry  
- Size M20 or 1/2"NPT

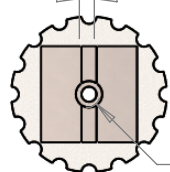
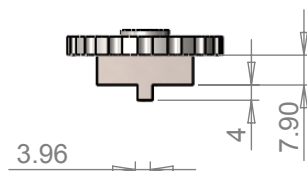


SEE SKETCH  
FOR NAMUR INTERFACE



Up to 3 Conduit Entry  
- Size Options M20, M25  
1/2"NPT or 3/4"NPT

NAMUR BLOCK FITTED



Ø7 CLEARANCE  
FOR SECURING  
SCREW

REV	DRAWN	DATE	CHK'D	ECO
	PT	25.10.12		12-1945

UNLESS OTHERWISE SPECIFIED:  
DIMENSIONS ARE IN MILLIMETERS  
SURFACE FINISH: 3.2 microns  
TOLERANCES:  
LINEAR: ±0.25mm  
ANGULAR: ±0.5°

TITLE:

VSD Unit - NAMUR - Dimensional Drawing

This private & confidential drawing is the property of Imtex Controls Limited, UK and cannot be copied or reproduced without the express written permission of the Company.

**Imtex Controls Limited**  
Deeside, Flintshire  
United Kingdom. Tel:+44(0)870-0340002  
[Website: www.imtex-controls.com](http://www.imtex-controls.com)

DEBUR AND  
BREAK SHARP  
EDGES

MATERIAL: 316SS

WEIGHT(g): 5.7kg

DWG NO.

**VSD-DIM004**

SCALE:1:5

SHEET 1 OF 1

REV  
-  
STATUS

A4