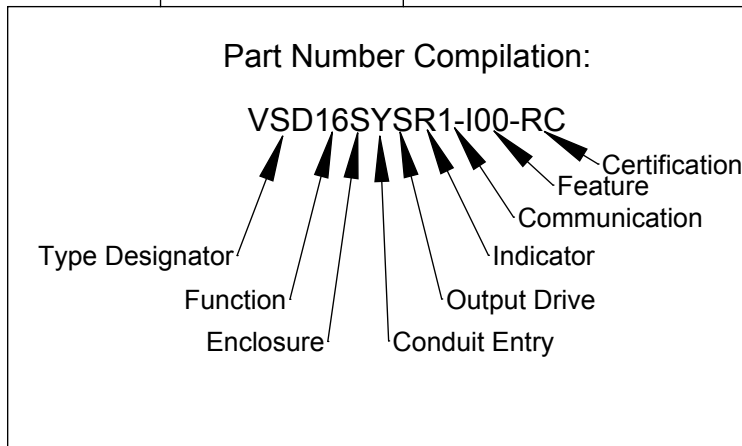


Type VSD -
see NOTE 2

FUNCTION	ENCLOSURE	CONDUIT	OUTPUT DRIVE	INDICATOR	COMMUNICATION	FEATURE
01 - Base Model Only No Additional Switches/Sensors	S - 316SS Cover & Housing	Z - (6) M20 x 1.5	S - 2 Pin Drive	R - RED CLOSED / GREEN OPEN (ABS material of construction)	0 - No Additional Comms	- IXX - Exd ib Feature Designator No I.S. Circuit/Components
xxP - Positioner Variant of Electronics P added after feature number indicates that the positioner variant of the electronics board is used	L - 316L SS Cover & Housing	Y - (3) M25 x 1.5 & (3) M20 x 1.5	N - NAMUR Drive	B - BLUE CLOSED / WHITE OPEN (ABS material of construction)	1 - Foundation Fieldbus	- AXX - Exd ib Feature Designator w/ I.S. Circuit Option See Note 1 below
14 - (2) DPDT Mechanical Switch up to 10 amps @ 125/250 VAC up to 0.5 amps @ 125 VDC Not Recommended for I.S. Circuits		X - (2) M25 x 1.5 & (4) M20 x 1.5		E - RED CLOSED / YELLOW OPEN (ABS material of construction)	2 - HART	
16 - (2) SPDT Mechanical Switch up to 10 amps @ 125/250 VAC up to 0.5 amps @ 125 VDC Not Recommended for I.S. Circuits		W - (1) M25 x 1.5 & (5) M20 x 1.5		O - NO VISUAL INDICATOR	3 - Bluetooth	
17 - (2) SPDT Gold Contact Mechanical Switch up to 1 amp @ 125 VAC up to 0.5 amps @ 30VDC Suitable for I.S. Circuits - See I.S. Parameters on Unit		V - (6) 1/2"NPT			4 - Wireless HART	CERTIFICATION
25 - (2) SPDT Reed Switch Max Current: 3 Amps Max Power: 100 Watts/VA Suitable for I.S. Circuits - See I.S. Parameters on Unit		U - (3) 3/4" NPT & (3) 1/2"NPT			5 - Modbus	- RC - Custom Union Certified Added after Feature to denote unit is CU certified version
40 - (2) SPST Reed Switch 0.15 Amps @ 125VAC/30VDC Suitable for I.S. Circuits - See I.S. Parameters on Unit		T - (2) 3/4" NPT & (4) 1/2"NPT			6 - Other (use Feature)	
42 - (2) V3 Style Proximity Sensor Op Voltages (sensor dependent) 10 to 60VDC 10 to 250VAC Op Current (sensor dependent) 2 to 400mA Some Sensors Suitable for I.S. Circuits - See I.S. Parameters on Unit		S - (1) 3/4" NPT & (5) 1/2"NPT				
43 - (2) Non V3 Style Proximity Sensor Op Voltages (sensor dependent) 10 to 60VDC 10 to 250VAC Op Current (sensor dependent) 2 to 400mA Some Sensors Suitable for I.S. Circuits - See I.S. Parameters on Unit						
70 - POSITION TRANSMITTER - Resistive 4-20mA @ 10 - 40 VDC monitor may include up to 2 additional switch/sensors from functions 16, 17, 25, 40, 42 or 43 Transmitter Suitable for I.S. Circuits - See Criteria on Unit						
90 - (2) Non V3 Style Proximity Sensor With Fieldbus Communication Not Suitable for I.S. Circuits						



NOTE 1:
The exact detail of switches/sensors/transmitters fitted in the monitor is not fully specified by the basic part number. The 'feature designator' provides a mechanism for cross-referencing to a centralised log establishing the make and model of parts fitted in a given unit.

NOTE 2:
The 'base' VSD Unit comprises the standard PST board with internally wired 4-20mA transmitter and is always included as part of the unit.

REV	DRAWN	DATE	CHK'D	ECO
	PT	8.9.14		14-2268

TITLE:
Type VSD - Master Model Description
CU-ATEX Units

This private & confidential drawing is the property of Imtex Controls Limited, Tonbridge, UK and cannot be copied or reproduced without the express written permission of the Company.

Imtex Controls Limited
Deeside - United Kingdom
Tel: +44(0)870-0340002
Website: www.imtex-controls.com

DWG NO. **A190319**

REV -
STATUS
S

SCALE:1:1 SHEET 1 OF 1