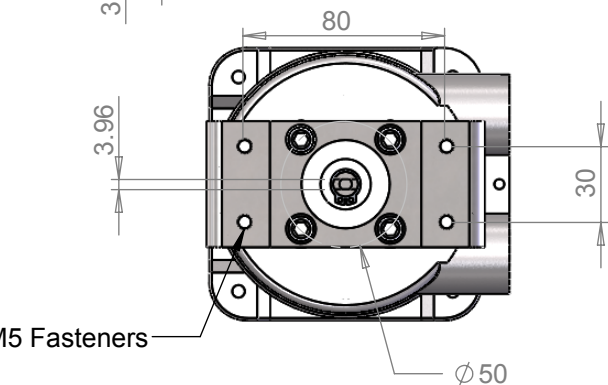


(2) M20 Conduit Entry
(1/2"NPT Option - Consult Factory)



(4) M5 Fasteners

REV	DRAWN	DATE	CHK'D	ECO
	PT	31.10.12		12-1945

UNLESS OTHERWISE SPECIFIED:
DIMENSIONS ARE IN MILLIMETERS
SURFACE FINISH: 3.2 microns
TOLERANCES:
LINEAR: ±0.25mm
ANGULAR: ±0.5°

TITLE:

SRX Monitor - General Dimensions w/
Size 1 Kit

This private & confidential drawing is the property of Imtex Controls Limited, UK and cannot be copied or reproduced without the express written permission of the Company.

Imtex Controls Limited
Deeside, Flintshire
United Kingdom. Tel:+44(0)870-0340002

Website: www.imtex-controls.com

DEBUR AND
BREAK SHARP
EDGES

MATERIAL: 316SS

WEIGHT(g): 2.3kg

DWG NO.

SRX-DIM002-ET1

SCALE:1:3

SHEET 1 OF 1

REV	-
STATUS	-
	A4