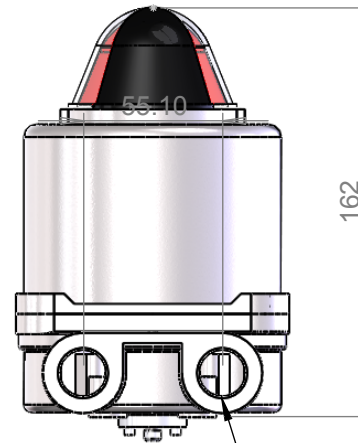
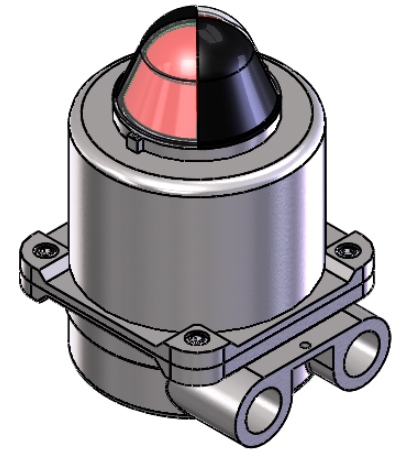


M4 Screw -
Use to Secure Adapters

(4) M6 Threaded
Holes



(2) M20 Conduit Entry
(1/2"NPT Option - Consult Factory)

REV	DRAWN	DATE	CHK'D	ECO
	PT	19.10.12		12-1945

UNLESS OTHERWISE SPECIFIED:
DIMENSIONS ARE IN MILLIMETERS
SURFACE FINISH: 3.2 microns
TOLERANCES:
LINEAR: $\pm 0.25\text{mm}$
ANGULAR: $\pm 0.5^\circ$

TITLE:

SRX Monitor - General Dimensions

This private & confidential drawing is the property of Imtex Controls Limited, UK and cannot be copied or reproduced without the express written permission of the Company.

Imtex Controls Limited
Deeside, Flintshire
United Kingdom. Tel: +44(0)870-0340002

Website: www.imtex-controls.com

DEBUR AND
BREAK SHARP
EDGES

MATERIAL: 316SS

WEIGHT(g): 1.9kg / 2.4kg

DWG NO.

SRX-DIM007

SCALE: 1:3

SHEET 1 OF 1

REV
-
STATUS
-
A4