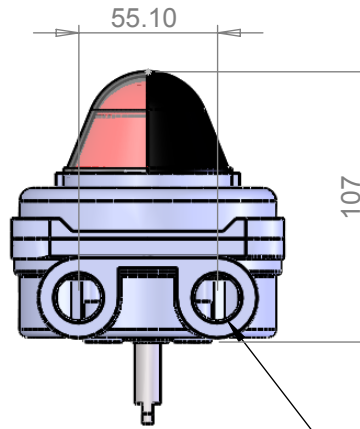
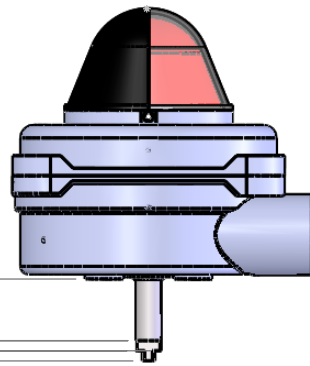


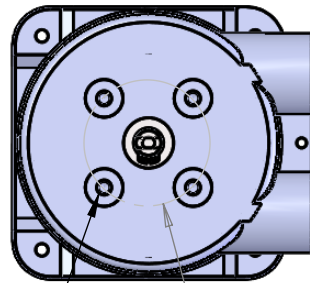
25 (15 - FOR 'L' SHAFT VARIANT)

3.98
4



(2) M20 Conduit Entry
(1/2" NPT Option - Consult Factory)

(4) M6 Threaded Holes



Ø 50

REV	DRAWN	DATE	CHK'D	ECO
	PT	31.10.12		12-1945

UNLESS OTHERWISE SPECIFIED:
DIMENSIONS ARE IN MILLIMETERS
SURFACE FINISH: 3.2 microns
TOLERANCES:
LINEAR: ±0.25mm
ANGULAR: ±0.5°

TITLE:

SRX Monitor - General Dimensions

This private & confidential drawing is the property of Imtex Controls Limited, Tonbridge, UK and cannot be copied or reproduced without the express written permission of the Company.

Imtex Controls Limited
Unit 5A, Valley Industries, Hadlow Road
Tonbridge, Kent, TN11 0AH, United Kingdom
Tel: +44(0)1732-850360 Fax: +44(0)1732-852133
[Website: www.imtex-controls.com](http://www.imtex-controls.com)

DEBUR AND
BREAK SHARP
EDGES
MATERIAL: 316SS
WEIGHT: 1.8kg

DWG NO.

SRX-DIM003

SCALE: 1:3

SHEET 1 OF 1

REV	-
STATUS	-
	-
	A4