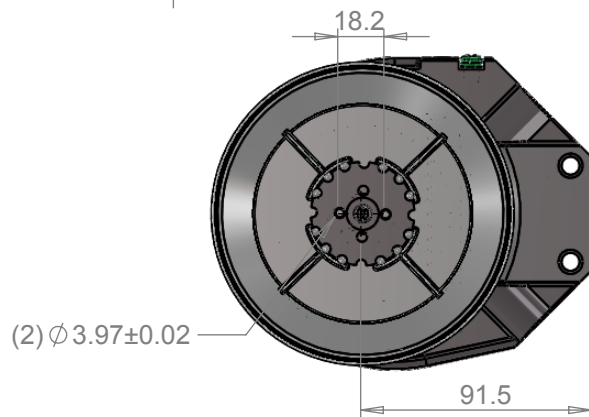


(2) M20 Conduit Entry

101.60 - SHORT COVER

155.40 - TALL COVER



REV	DRAWN	DATE	CHK'D	ECO
	PT	3.1.18		18-2687

UNLESS OTHERWISE SPECIFIED:  
 DIMENSIONS ARE IN MILLIMETERS  
 SURFACE FINISH: 3.2 microns  
 TOLERANCES:  
 LINEAR: ±0.25mm  
 ANGULAR: ±0.5°

TITLE:

SQ Monitor - General Dimensions

This private & confidential drawing is the property of Imtex Controls Limited, UK and cannot be copied or reproduced without the express written permission of the Company.

**Imtex Controls Limited**  
 Deeside, Flintshire  
 United Kingdom. Tel:+44(0)870-0340002  
 Website: [www.imtex-controls.com](http://www.imtex-controls.com)

DEBUR AND  
 BREAK SHARP  
 EDGES  
 MATERIAL:  
 WEIGHT(g):

DWG NO.

**SQ-DIM001**

SCALE:1:3

SHEET 1 OF 1

REV  
 -  
 STATUS  
 -  
 A4