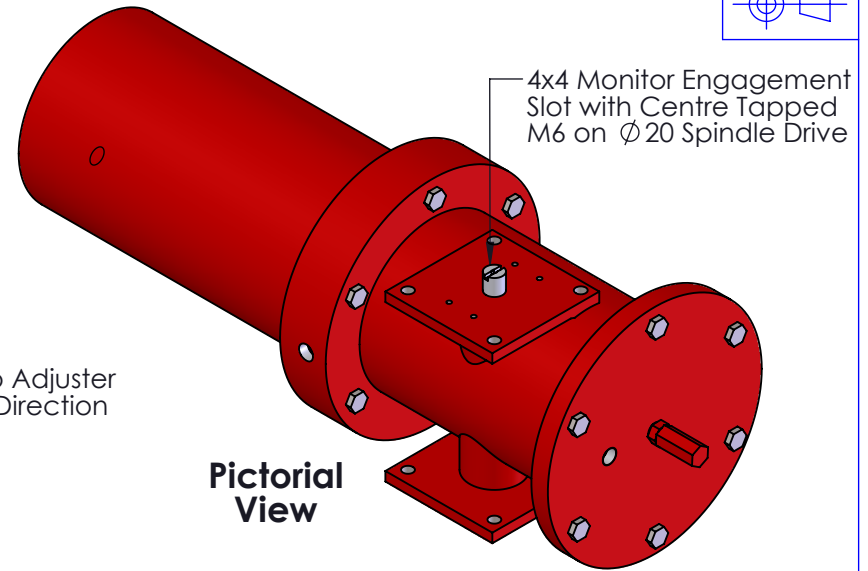
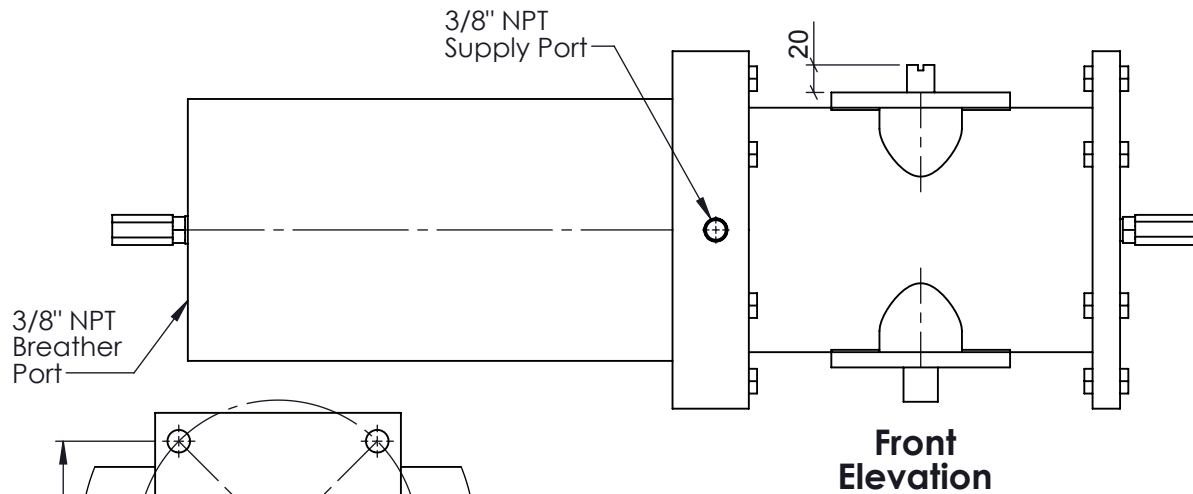


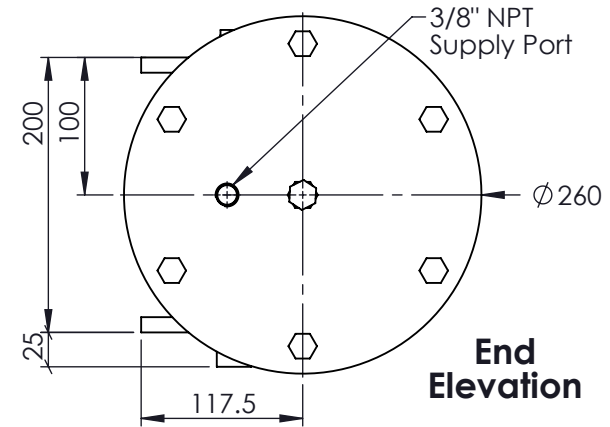
**Plan View**



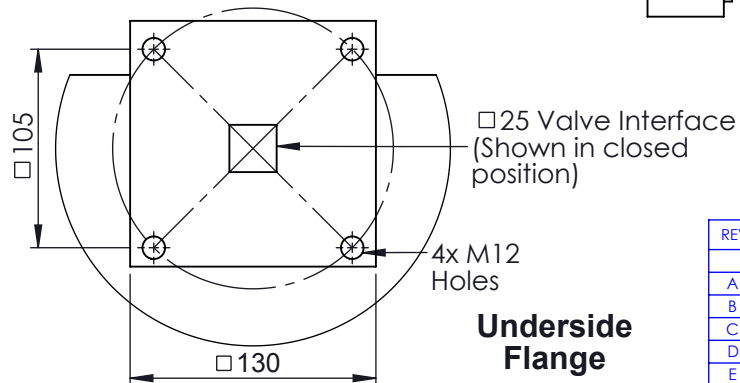
**Pictorial View**



**Front Elevation**



**End Elevation**



**Underside Flange**

SR - Swept Volume : 3.51 Litres

REV	DRAWN	DATE	CHK'D	ECO
	KY	14/1/14		14-2179
A				
B				
C				
D				
E				

Unless specified otherwise

Dimensions in : mm  
Surface Finish : 3.2  
Tolerances  
Linear : ± 0.25mm  
Angular : ± 0.5°

TITLE:

**S65 SR Actuator - Pneumatic Fail Close / Fabricated Body - General Dimensions**

This private & confidential drawing is the property of Camtorc Actuators, UK and must not be copied or reproduced without the express written permission of the Company.



**CAMTORC Actuators**  
UK Tel : +44(0) 8700 340002  
www.camtorc.com

For reference and information only

MATERIAL: Carbon Steel

ESTIMATED WEIGHT (Kg): 64 Approx.

DRG No:

**S65FC-DIM005**

SCALE

SHEET 1 OF 1

ACTIVE

STATUS

A4