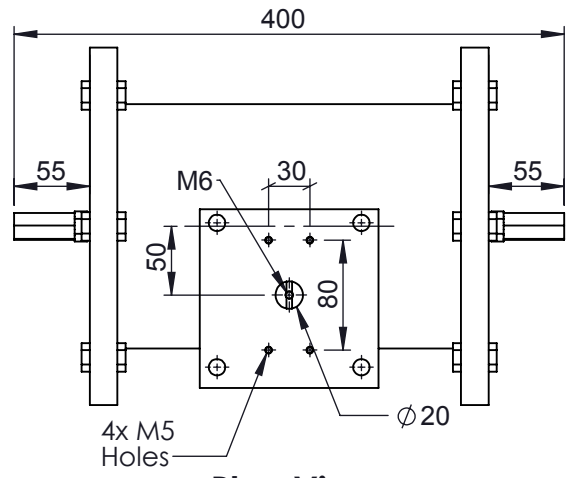
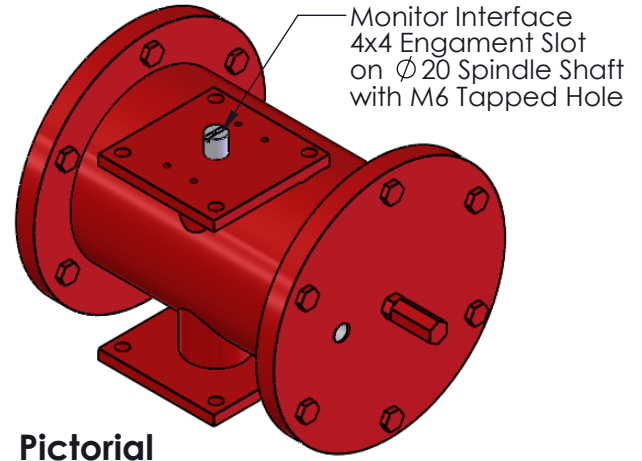


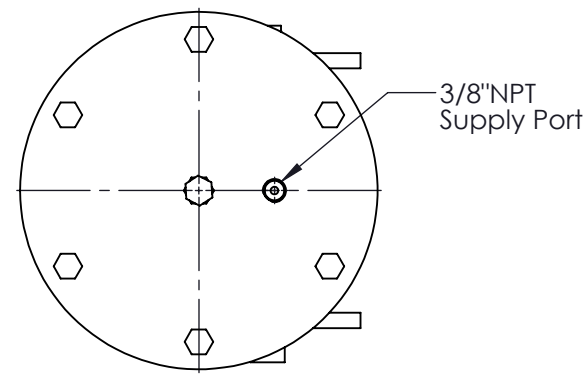
Underside Flange



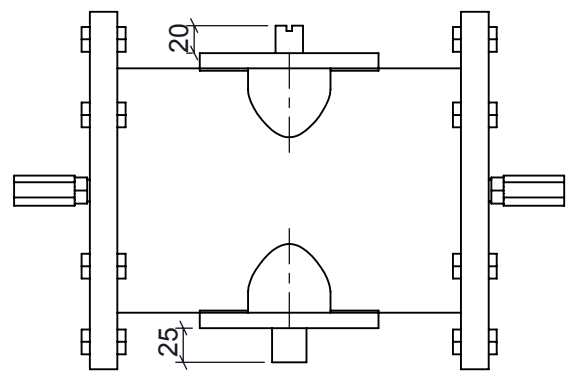
Plan View



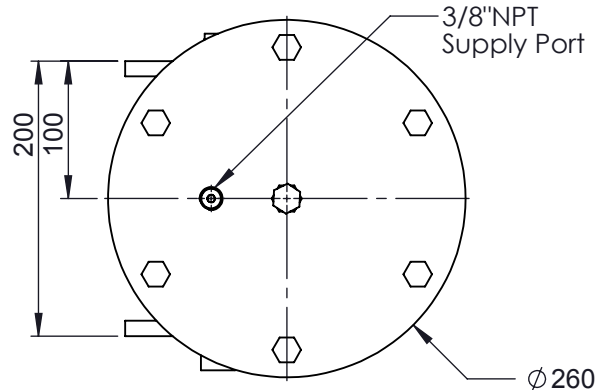
Pictorial View



Left Elevation



Front Elevation



Right Elevation

DA - Swept Volume (l)	1.63 litres
-----------------------	-------------

REV	DRAWN	DATE	CHK'D	ECO
	KY	14/1/14		14-2179
A				
B				
C				
D				
E				

Unless specified otherwise
 Dimensions in : mm
 Surface Finish : 3.2
 Tolerances
 Linear : ± 0.25mm
 Angular : ± 0.5°

TITLE:
**S65 Pneumatic Actuator - DA
 Fabricated Body General Dimensions**

This private & confidential drawing is the property of Camtorc Actuators, UK and must not be copied or reproduced without the express written permission of the Company.

For reference and information only
 MATERIAL: Carbon Steel
 ESTIMATED WEIGHT (Kg): 38 Kg Approx.

DRG No:
S65DA-DIM004
 SCALE :-
 SHEET 1 OF 1

ACTIVE
 STATUS
 A4