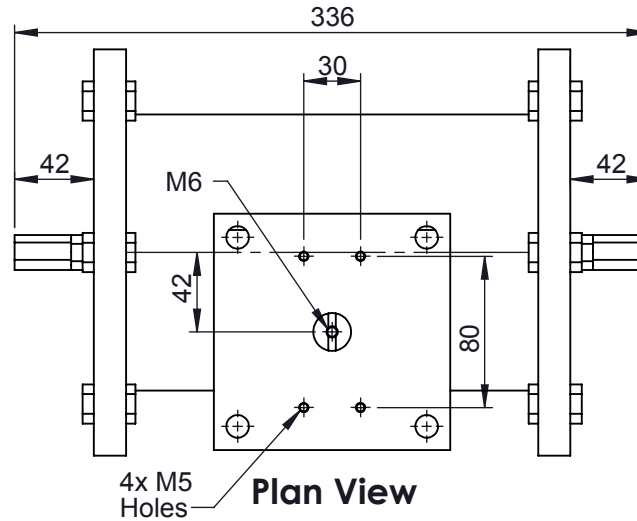
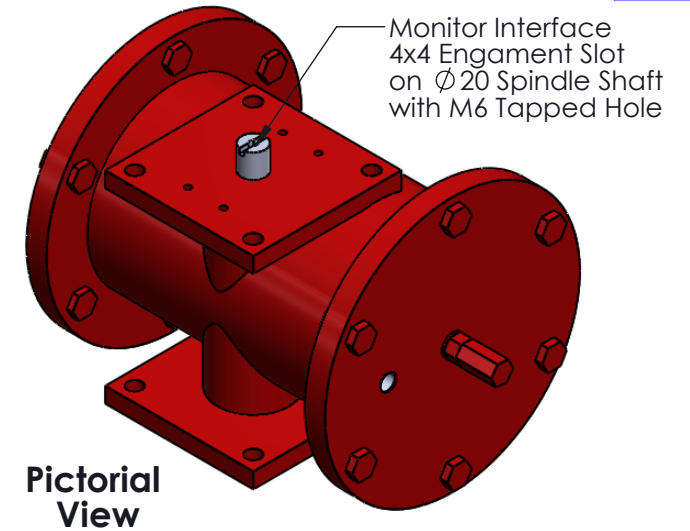


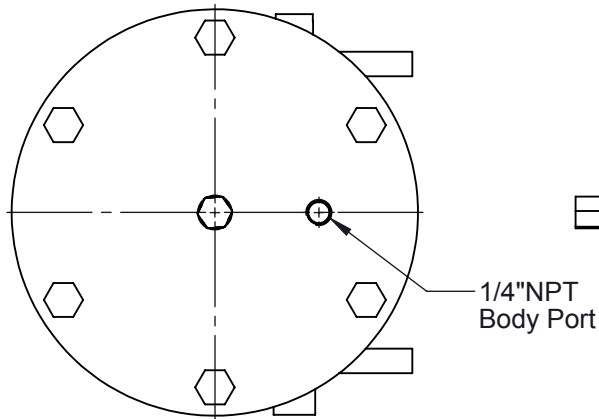
Underside Flange



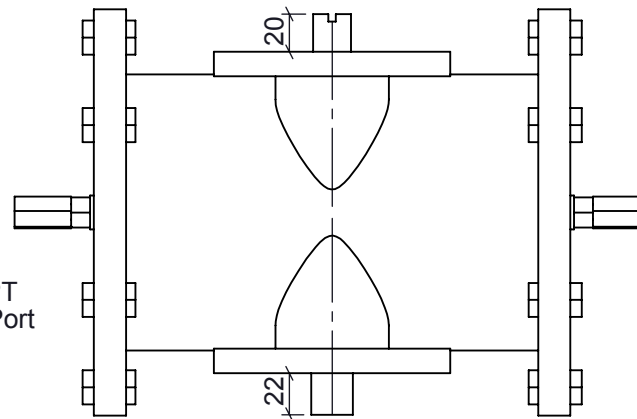
Plan View



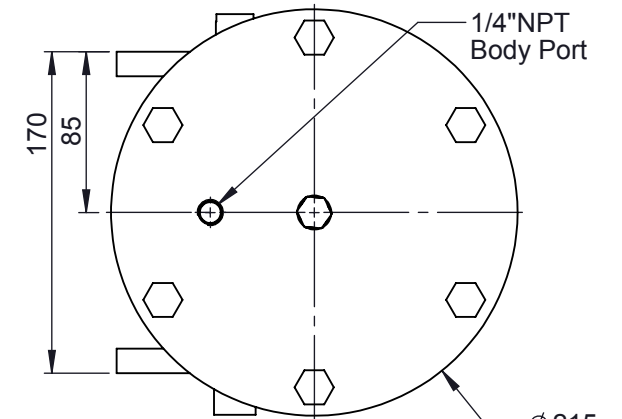
Pictorial View



Left Elevation



Front Elevation



Right Elevation

DA - Swept Volume (l)	1.01 litres
-----------------------	-------------

REV	DRAWN	DATE	CHK'D	ECO
	KY	14/1/14		14-2179
A		17.12.14		14-2179A
B				
C				
D				
E				

Unless specified otherwise

Dimensions in : mm
 Surface Finish : 3.2
 Tolerances
 Linear : ± 0.25mm
 Angular : ± 0.5°

TITLE:

**S55 Pneumatic Actuator - DA
 Fabricated Body General Dimensions**

DRG No:

S55DA-DIM004

ACTIVE

A

STATUS

For reference and information only

MATERIAL: Carbon Steel

ESTIMATED WEIGHT (Kg): 22 Kg Approx.

SCALE :-

SHEET 1 OF 1

A4

This private & confidential drawing is the property of Camtorc Actuators, UK and must not be copied or reproduced without the express written permission of the Company.