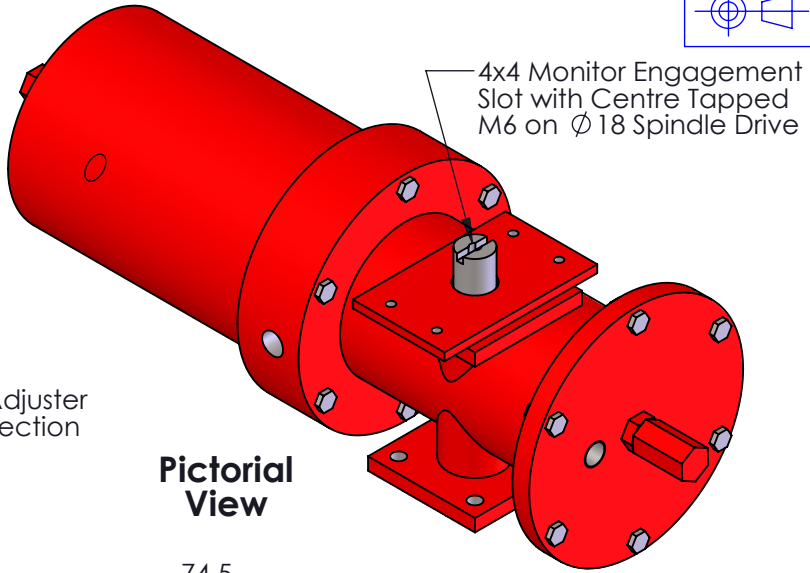
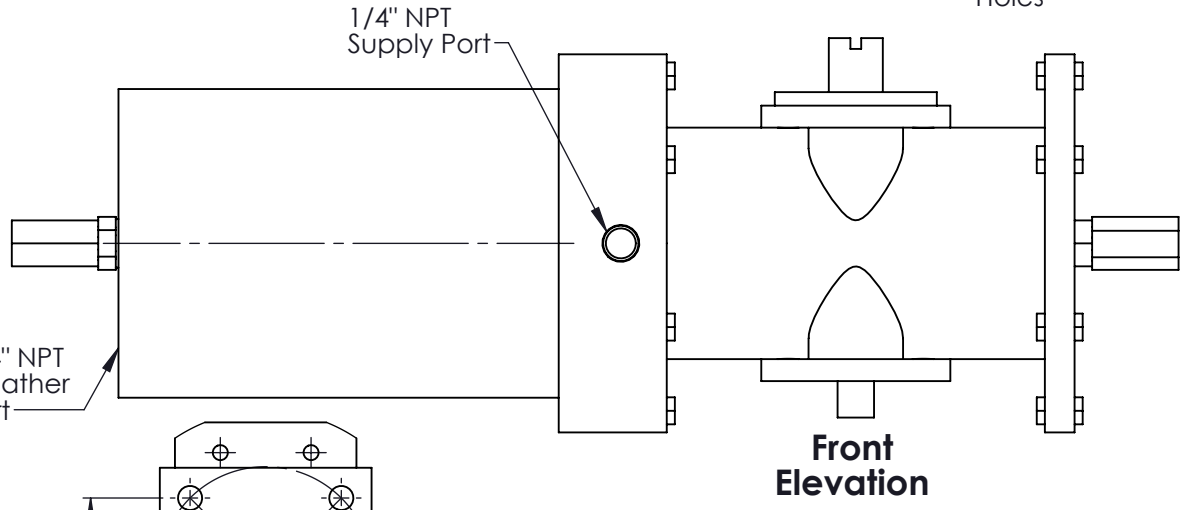


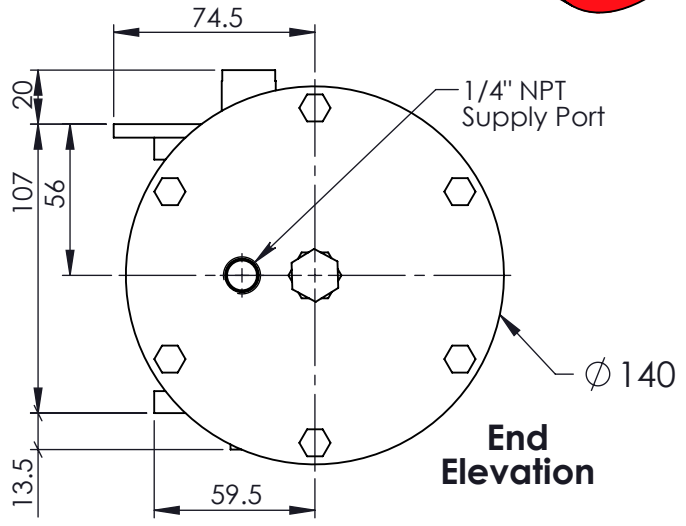
Plan View



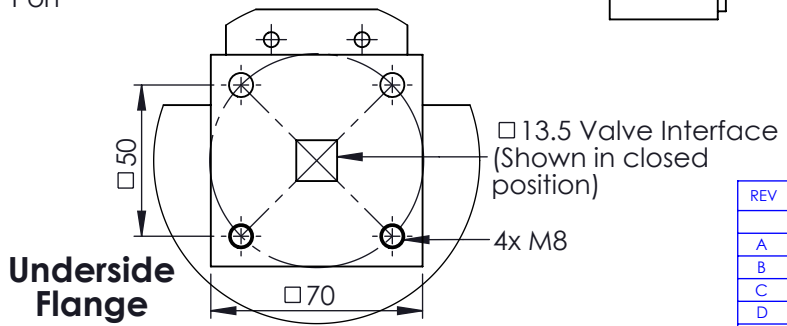
Pictorial View



Front Elevation



End Elevation



Underside Flange

SR - Swept Volume : 0.56 Litres

REV	DRAWN	DATE	CHK'D	ECO
	KY	19/4/2016		
A	KY	6/6/2018		
B				
C				
D				
E				

Unless specified otherwise
 Dimensions in : mm
 Surface Finish : 3.2
 Tolerances
 Linear : ± 0.25mm
 Angular : ± 0.5°

TITLE:
S30 SR Actuator - Pneumatic Fail Close / Fabricated Body - General Dimensions

This private & confidential drawing is the property of Camtorc Actuators, UK and must not be copied or reproduced without the express written permission of the Company.



CAMTORC Actuators
 UK Tel : +44(0) 8700 340002
 www.camtorc.com

For reference and information only
 MATERIAL: Carbon Steel
 ESTIMATED WEIGHT (Kg): 18 Approx.

DRG No:
S30FC-DIM005
 SCALE: SHEET 1 OF 1
 STATUS: ACTIVE
 A4