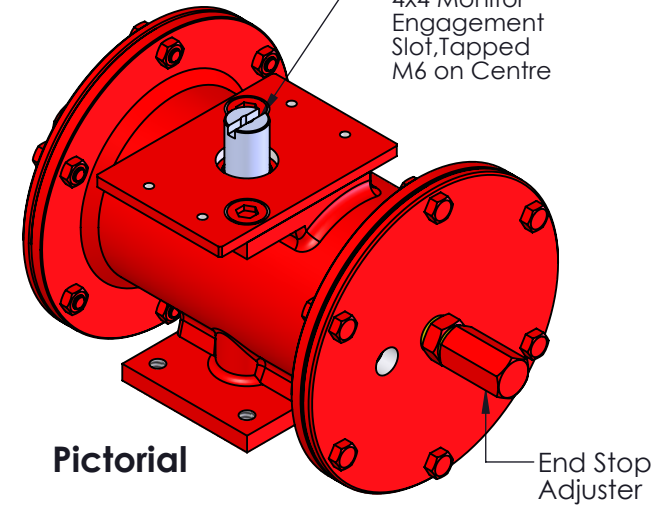
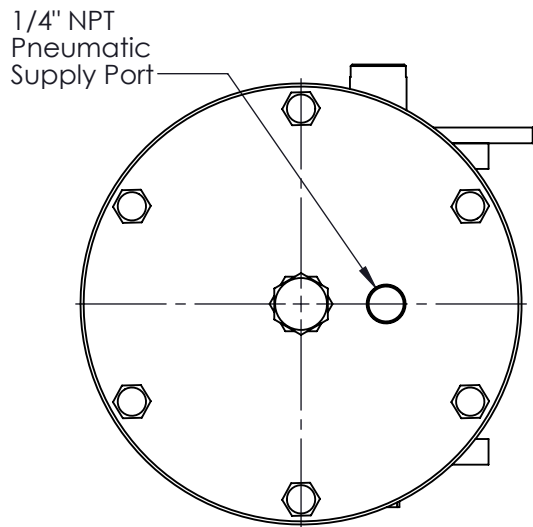


**Underside Flange**

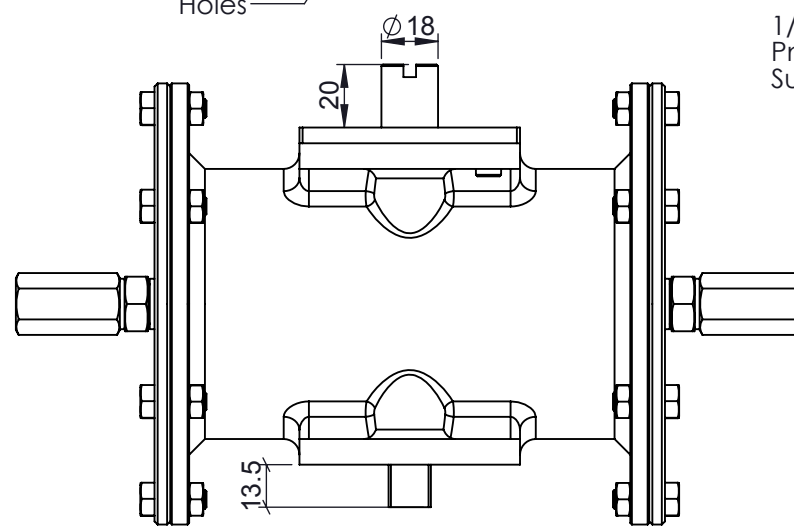
**Plan View**



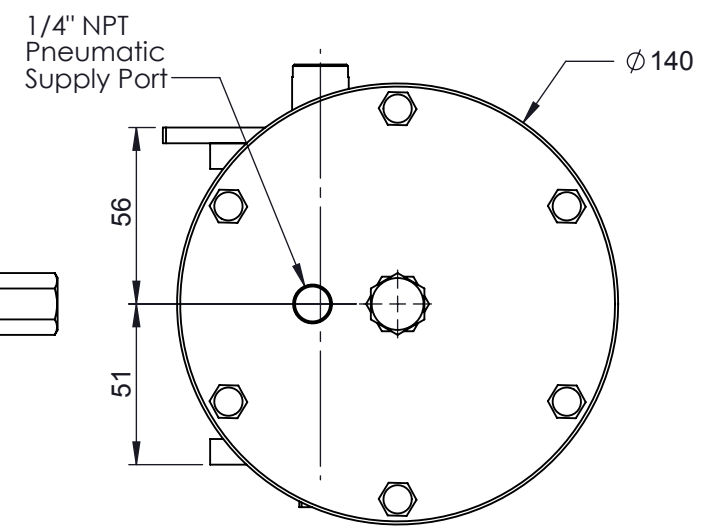
**Pictorial**



**Left Elevation**



**Front Elevation**



**Right Elevation**

DA - Swept Volume (l) 0.56 litres

REV	DRAWN	DATE	CHK'D	ECO
	KY	3/5/2016		
A				
B				
C				
D				
E				

Unless specified otherwise  
 Dimensions in : mm  
 Surface Finish : 3.2  
 Tolerances  
 Linear : ± 0.25mm  
 Angular : ± 0.5°

TITLE:  
**S30 Camtorc Pneumatic Actuator - DA Fabricated Body General Dimensions**

This private & confidential drawing is the property of Camtorc Actuators, UK and must not be copied or reproduced without the express written permission of the Company.



**CAMTORC Actuators**  
 UK Tel : +44(0) 8700 340002  
 www.camtorc.com

For reference and information only

MATERIAL:  
 ESTIMATED WEIGHT (Kg): 7 Kg Approx.

DRG No:

**S30DA-DIM004**

ACTIVE

STATUS

A4

SCALE :-

SHEET 1 OF 1