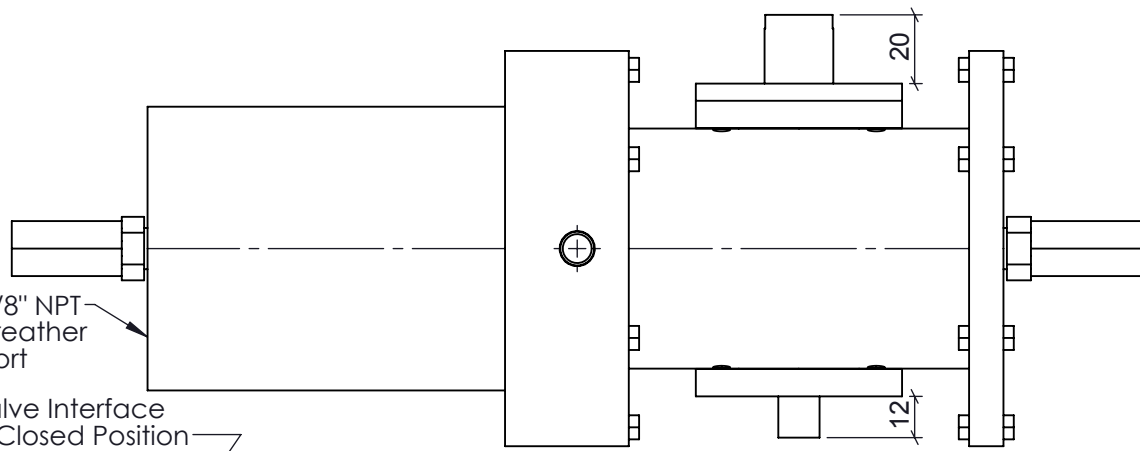
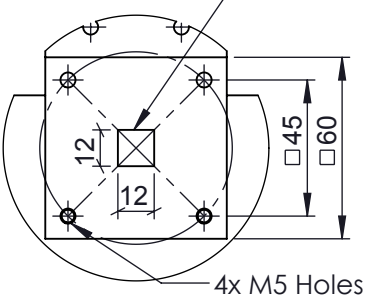


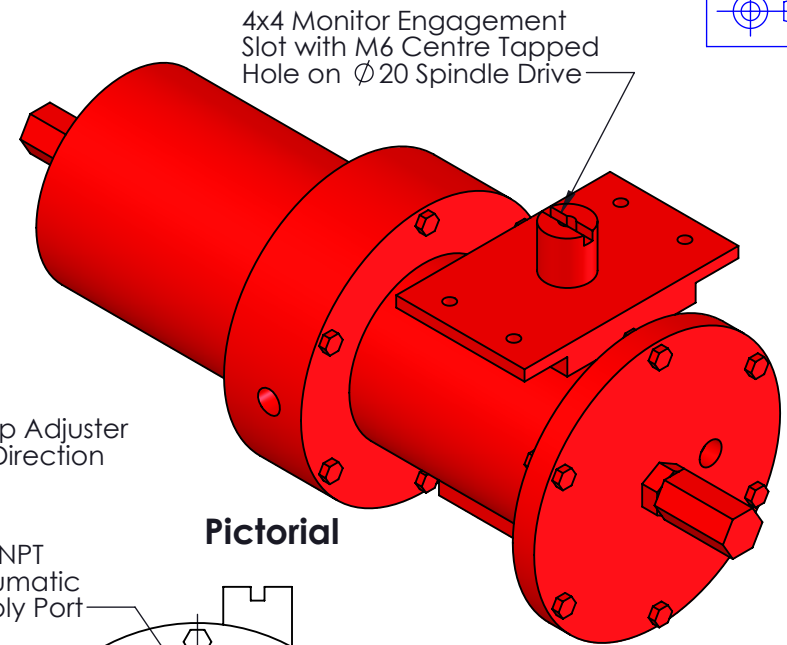
Plan View



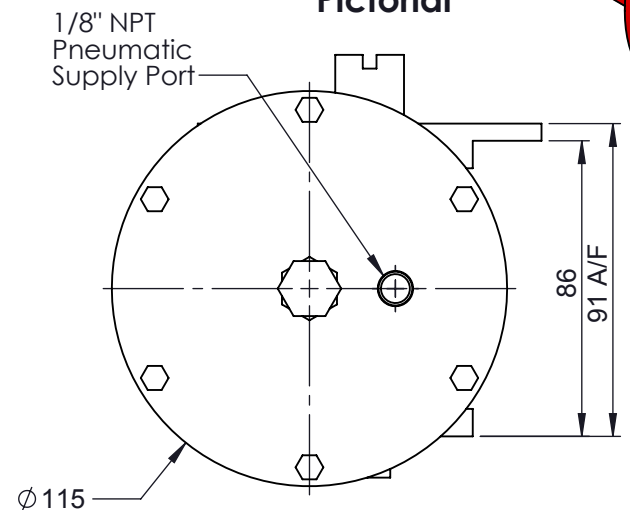
Front Elevation



Underside Flange



Pictorial



End Elevation

SR - Swept Volume : 0.22 Litres

| REV | DRAWN | DATE | CHK'D | ECO |
|-----|-------|-----------|-------|-----|
| | KY | 15/9/2017 | | |
| A | | | | |
| B | | | | |
| C | | | | |
| D | | | | |
| E | | | | |

Unless specified otherwise
 Dimensions in : mm
 Surface Finish : 3.2
 Tolerances
 Linear : ± 0.25mm
 Angular : ± 0.5°

TITLE:
S25 SR Camtorc Pneumatic Actuator - Fail Open Fabricated Body General Dimensions

This private & confidential drawing is the property of Camtorc Actuators, UK and must not be copied or reproduced without the express written permission of the Company.



CAMTORC Actuators
 UK Tel : +44(0) 8700 340002
 www.camtorc.com

For reference and information only
 MATERIAL: Carbon Steel
 ESTIMATED WEIGHT (Kg): 9 Approx.

DRG No:
S25FO-DIM006
 SCALE
 SHEET 1 OF 1
 ACTIVE
 STATUS
 A4