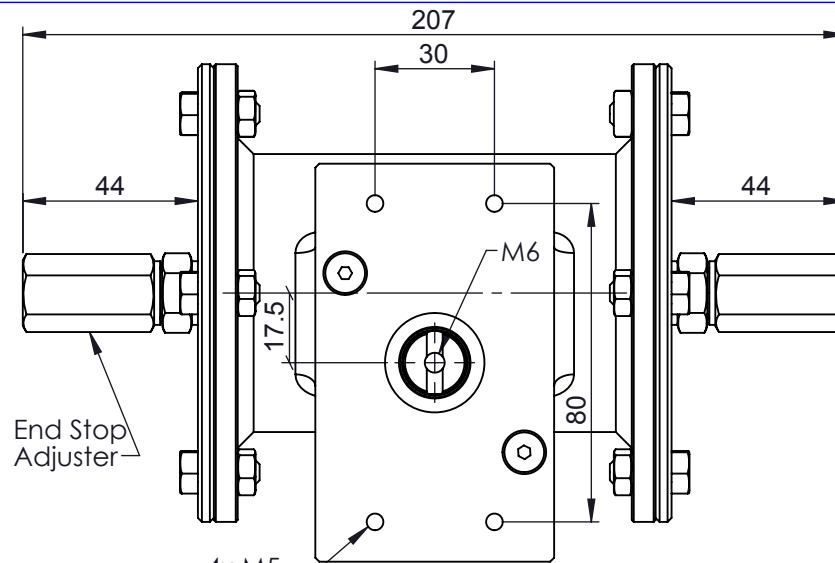
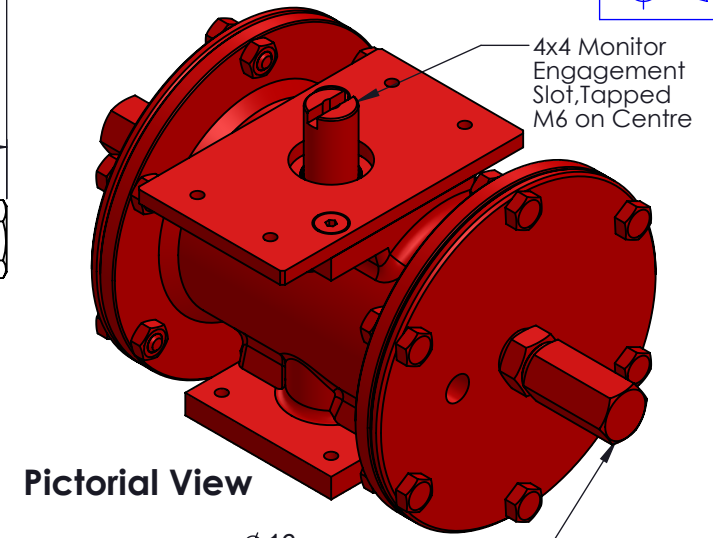


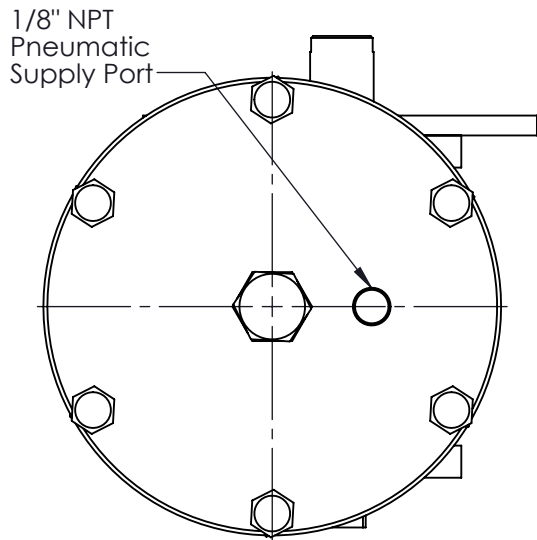
**Underside Flange**



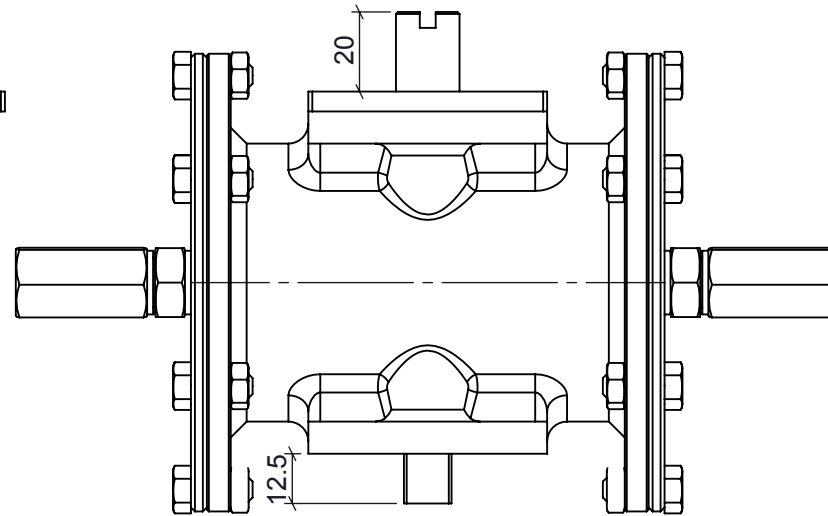
**Plan View**



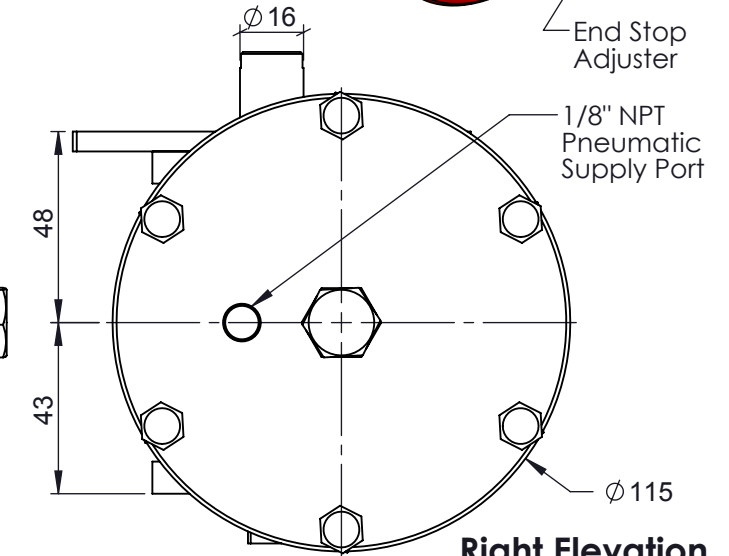
**Pictorial View**



**Left Elevation**



**Front Elevation**



**Right Elevation**

DA - Swept Volume (l) 0.22 litres

REV	DRAWN	DATE	CHK'D	ECO
	KY	31/5/2018		
A				
B				
C				
D				
E				

Unless specified otherwise

Dimensions in : mm  
Surface Finish : 3.2  
Tolerances  
Linear : ± 0.25mm  
Angular : ± 0.5°

TITLE:

**S25 Camtorc Pneumatic Actuator - DA Fabricated Body General Dimensions**

DRG No:

**S25DA-DIM004**

ACTIVE

STATUS

This private & confidential drawing is the property of Camtorc Actuators, UK and must not be copied or reproduced without the express written permission of the Company.



**CAMTORC Actuators**

UK Tel : +44(0) 8700 340002  
www.camtorc.com

For reference and information only

MATERIAL:

ESTIMATED WEIGHT (Kg): 4.0 Kg

SCALE :-

SHEET 1 OF 1

A4