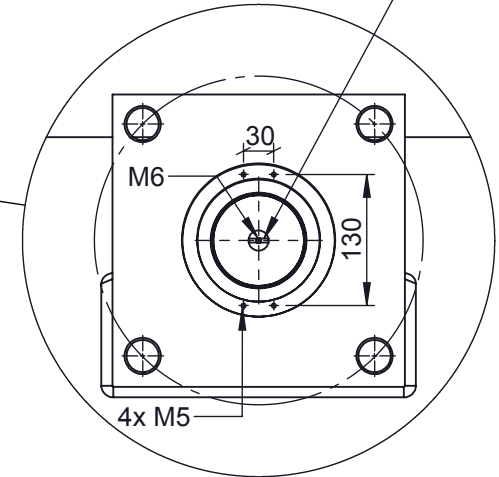
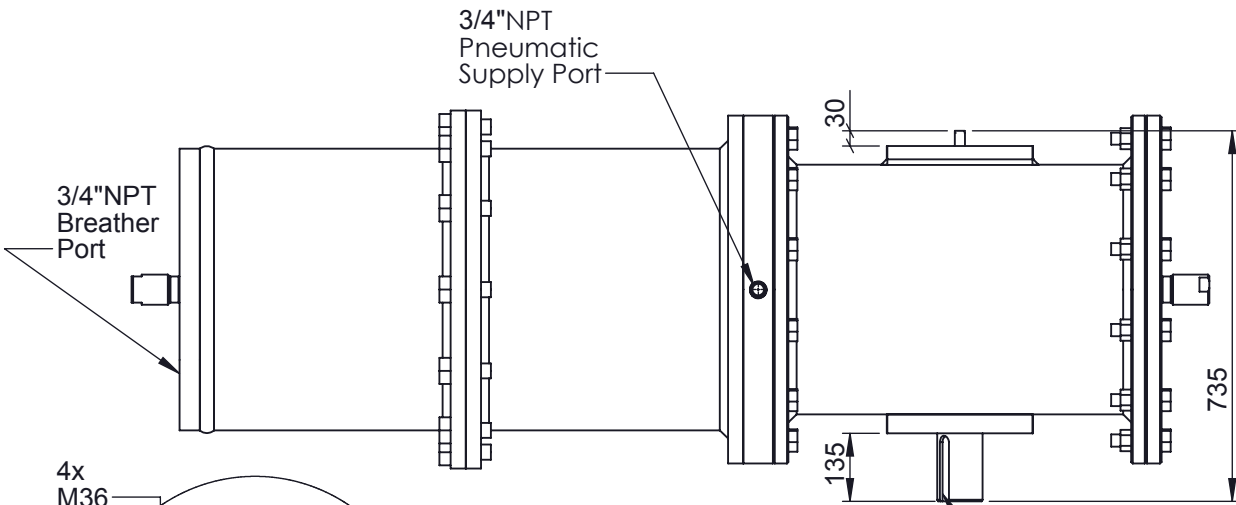


Plan View

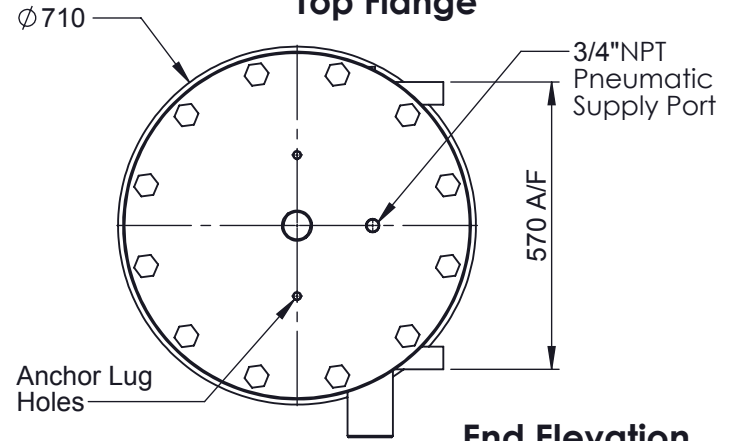
4x Monitor Engagement Slot with M6 Centre Tapped Hole on $\varnothing 20$ Spindle Drive



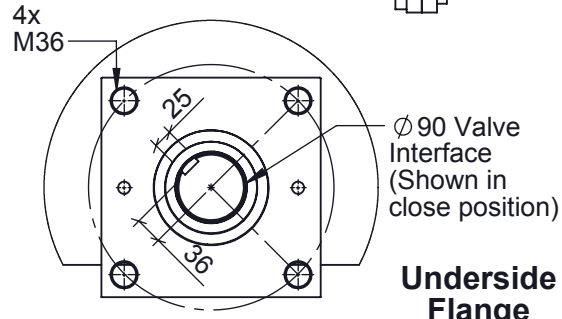
Top Flange



Front Elevation



End Elevation



Underside Flange

SR - Swept Volume 89.63 litres

REV	DRAWN	DATE	CHK'D	ECO
	KY	27/3/14		14-2179
A				
B				
C				
D				
E				

Unless specified otherwise
 Dimensions in : mm
 Surface Finish : 3.2
 Tolerances
 Linear : ± 0.25 mm
 Angular : $\pm 0.5^\circ$

TITLE:
S180 SR Camtorc Pneumatic Actuator - Fail Open Fabricated Body General Dimensions

This private & confidential drawing is the property of Camtorc Actuators, UK and must not be copied or reproduced without the express written permission of the Company.



CAMTORC Actuators
 UK Tel : +44(0) 8700 340002
 www.camtorc.com

For reference and information only

MATERIAL: Carbon Steel

ESTIMATED WEIGHT (Kg): 1823.0 Approx.

DRG No:

S180FO-DIM006

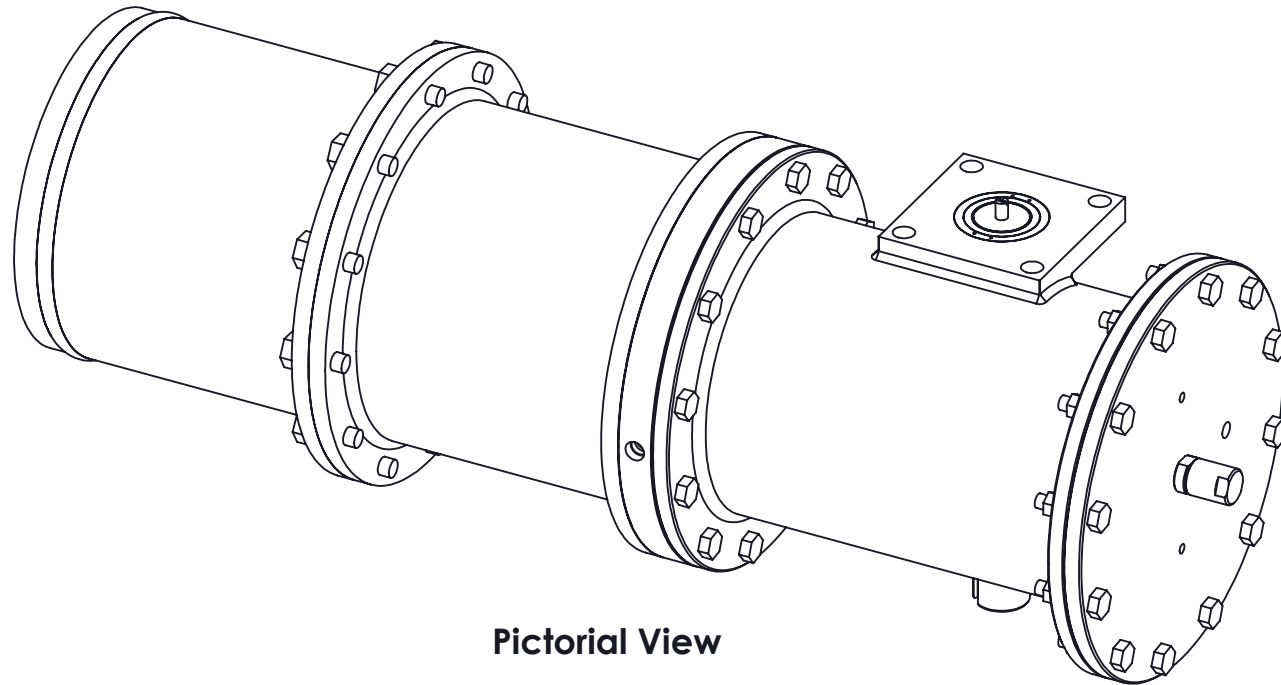
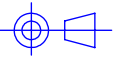
SCALE :-

SHEET 1 OF 2

ACTIVE

STATUS

A4



Pictorial View

REV	DRAWN	DATE	CHK'D	ECO
	KY	27/3/14		14-2179
A				
B				
C				
D				
E				

Unless specified otherwise

Dimensions in : mm
 Surface Finish : 3.2
 Tolerances
 Linear : ± 0.25mm
 Angular : ± 0.5°

TITLE:

**S180 SR Camtorc Pneumatic
 Actuator - Fail Open Fabricated
 Body General Dimensions**

This private & confidential drawing is the property of Camtorc Actuators, UK and must not be copied or reproduced without the express written permission of the Company.



CAMTORC Actuators
 UK Tel : +44(0) 8700 340002
 www.camtorc.com

For reference and information only

MATERIAL: Carbon Steel

ESTIMATED WEIGHT (Kg):

DRG No:

S180FO-DIM006

SCALE :-

SHEET 2 OF 2

ACTIVE

STATUS

A4