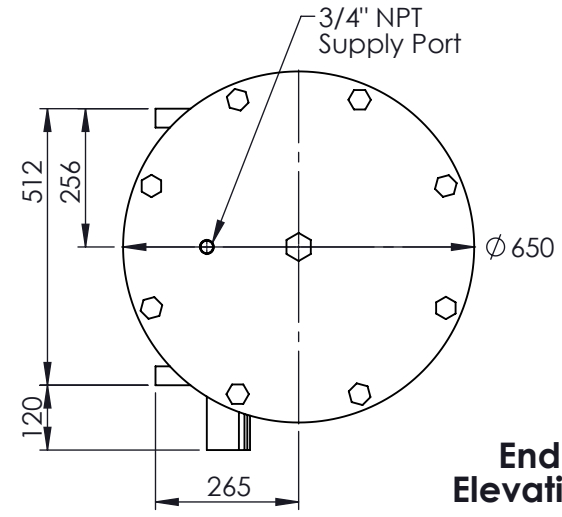


**Pictorial View**



**End Elevation**

SR - Swept Volume : 79.28 Litres

REV	DRAWN	DATE	CHK'D	ECO
	KY	14/1/14		14-2179
A	KY	20/8/15		14-2179A
B				
C				
D				
E				

Unless specified otherwise  
 Dimensions in : mm  
 Surface Finish : 3.2  
 Tolerances  
 Linear : ± 0.25mm  
 Angular : ± 0.5°

TITLE:  
**S160 SR Actuator - Pneumatic  
 Fail Close / Fabricated Body -  
 General Dimensions**

This private & confidential drawing is the property of Camtorc Actuators, UK and must not be copied or reproduced without the express written permission of the Company.



**CAMTORC Actuators**  
 UK Tel : +44(0) 8700 340002  
 www.camtorc.com

For reference and information only  
 MATERIAL: Carbon Steel  
 ESTIMATED WEIGHT (Kg): 1181 Approx.

DRG No:  
**S160FC-DIM005**  
 SCALE

ACTIVE  
 A  
 STATUS  
 A4