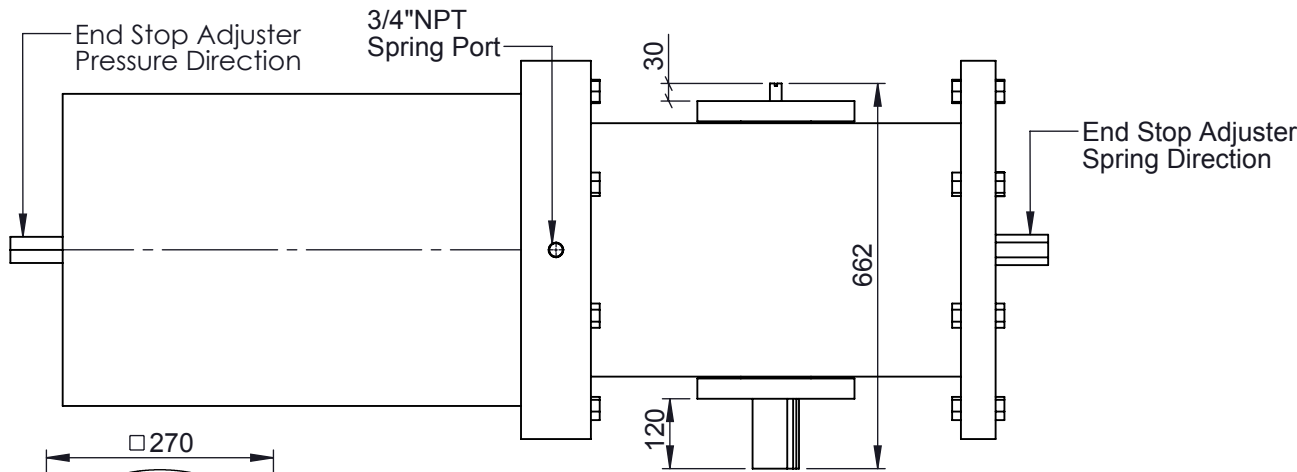
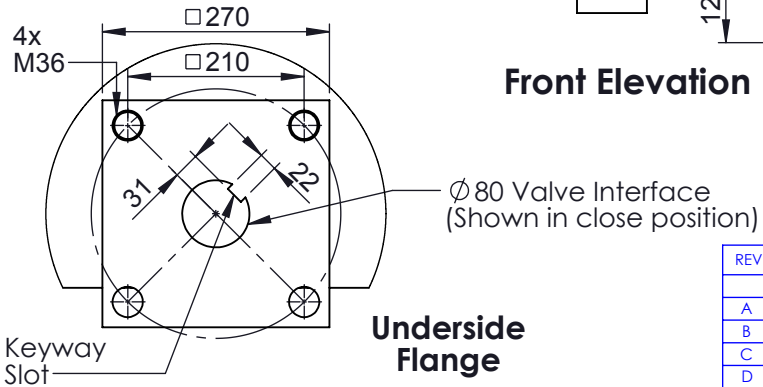


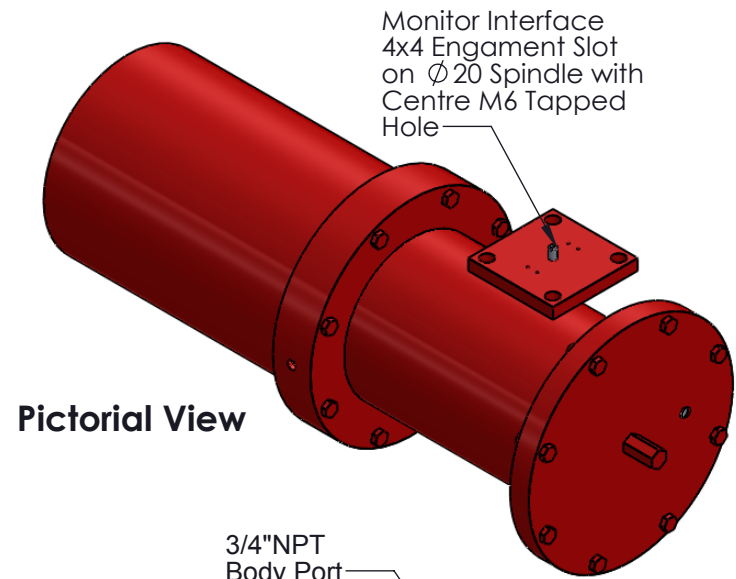
**Plan View**



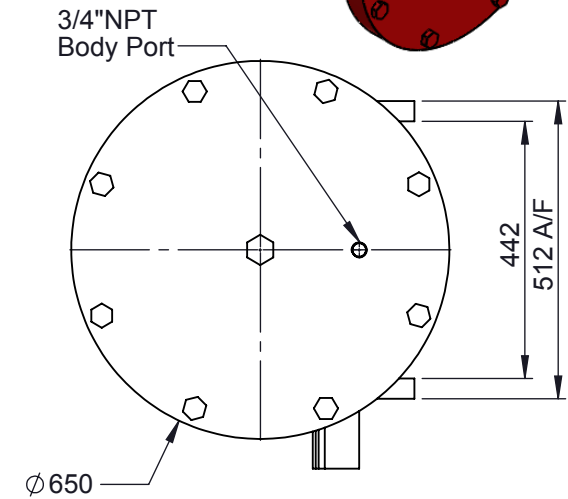
**Front Elevation**



**Underside Flange**



**Pictorial View**



**End Elevation**

SR - Weight (kg)	1500.0 kg
SR - Swept Volume (l)	79.28 litres

REV	DRAWN	DATE	CHK'D	ECO
	KY	18/2/14		14-2179
A				
B				
C				
D				
E				

Unless specified otherwise

Dimensions in : mm  
 Surface Finish : 3.2  
 Tolerances  
 Linear : ± 0.25mm  
 Angular : ± 0.5°

TITLE:

**S160 SR Actuator - Pneumatic FO  
 General Dimensions**

DRG No:

**S160FO-DIM006**

ACTIVE

STATUS

This private & confidential drawing is the property of Camtorc Actuators, UK and must not be copied or reproduced without the express written permission of the Company.

**CAMTORC Actuators**  
 UK Tel : +44(0) 8700 340002  
 www.camtorc.com

For reference and information only

MATERIAL:

ESTIMATED WEIGHT (Kg):

SCALE :-

SHEET 1 OF 1

A4