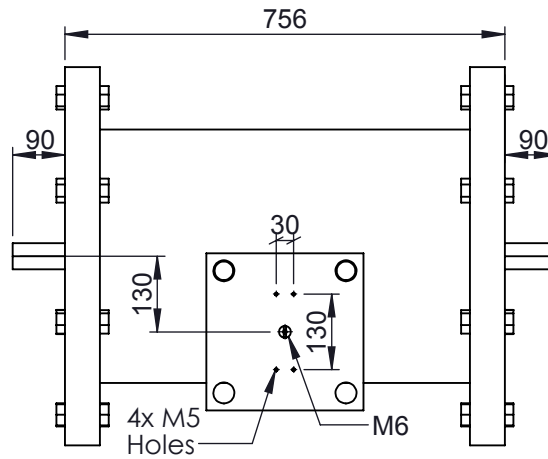
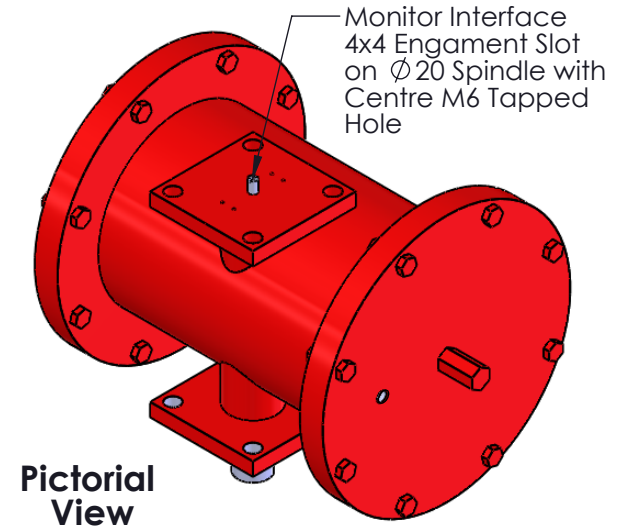


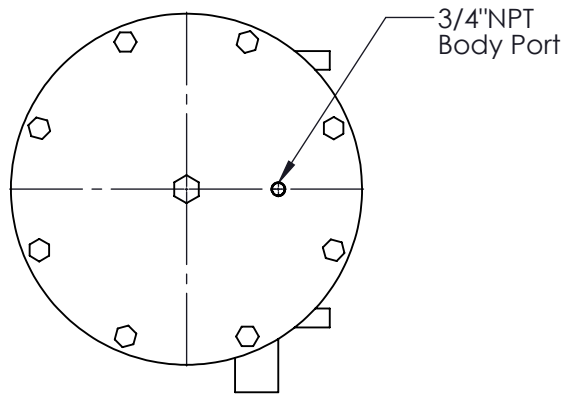
Underside Flange



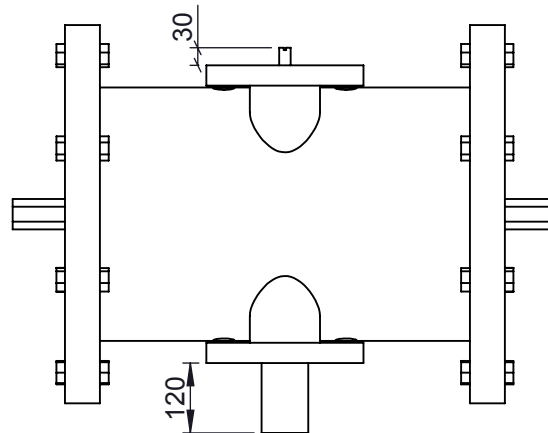
Plan View



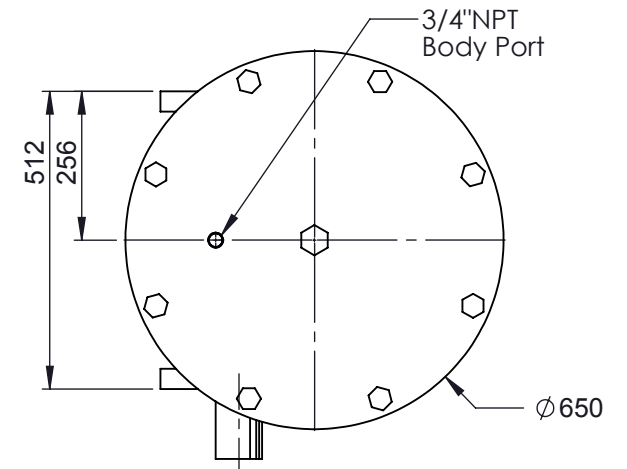
Pictorial View



Left Elevation



Front Elevation



Right Elevation

DA - Swept Volume (l) 31.42 litres

REV	DRAWN	DATE	CHK'D	ECO
	KY	14/1/14		14-2179
A				
B				
C				
D				
E				

Unless specified otherwise

Dimensions in : mm
 Surface Finish : 3.2
 Tolerances
 Linear : ± 0.25mm
 Angular : ± 0.5°

TITLE:

S160 Pneumatic Actuator - DA
 Fabricated Body General Dimensions

This private & confidential drawing is the property of Camtorc Actuators, UK and must not be copied or reproduced without the express written permission of the Company.

CAMTORC Actuators
 UK Tel : +44(0) 8700 340002
 www.camtorc.com

For reference and information only

MATERIAL: Carbon Steel

ESTIMATED WEIGHT (Kg): 732.0 Kg Approx.

DRG No:

S160DA-DIM004

SCALE :-

SHEET 1 OF 1

ACTIVE

STATUS

A4