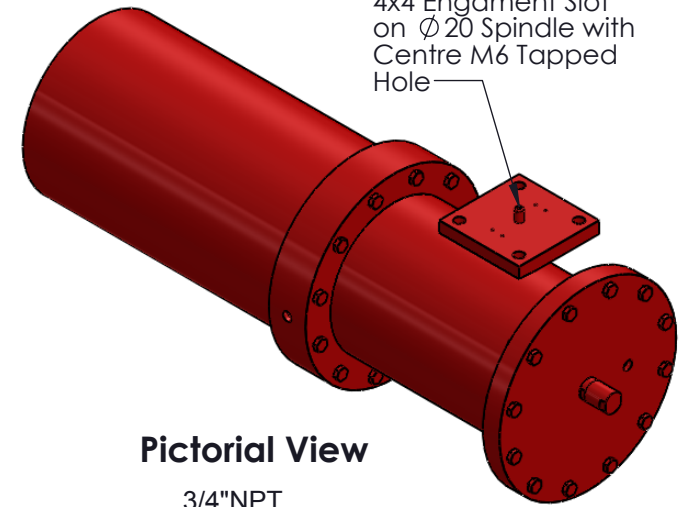
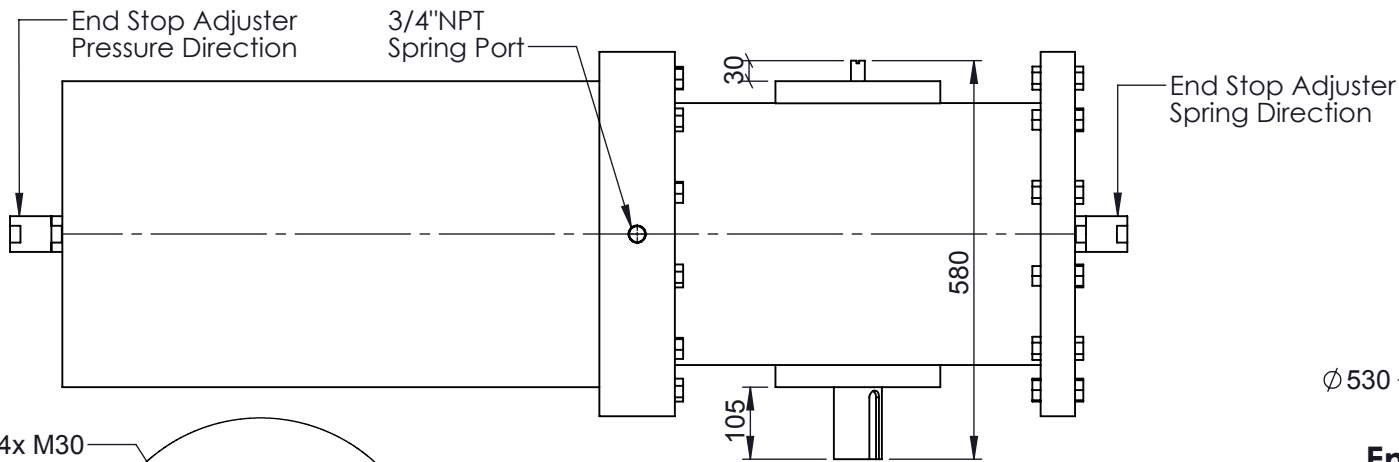


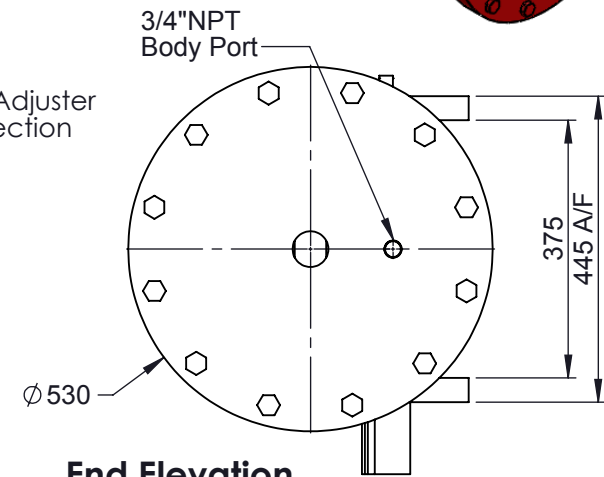
Plan View



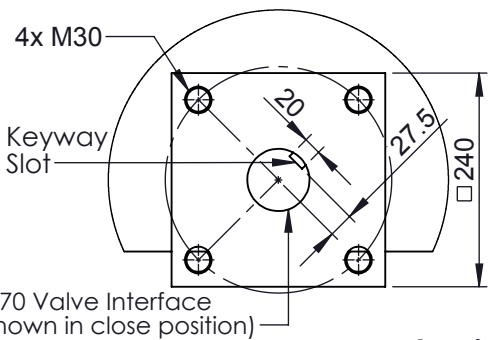
Pictorial View



Front Elevation



End Elevation



Underside Flange

SR - Weight (kg)	930.0 kg
SR - Swept Volume (l)	41.98 litres

REV	DRAWN	DATE	CHK'D	ECO
	KY	18/2/14		14-2179
A				
B				
C				
D				
E				

Unless specified otherwise

Dimensions in : mm
 Surface Finish : 3.2
 Tolerances
 Linear : ± 0.25mm
 Angular : ± 0.5°

TITLE:

**S140 SR Actuator - Pneumatic FO
 General Dimensions**

This private & confidential drawing is the property of Camtorc Actuators, UK and must not be copied or reproduced without the express written permission of the Company.

CAMTORC Actuators
 UK Tel : +44(0) 8700 340002
 www.camtorc.com

For reference and information only

MATERIAL:

ESTIMATED WEIGHT (Kg):

DRG No:

S140FO-DIM006

SCALE :-

SHEET 1 OF 1

ACTIVE

STATUS

A4