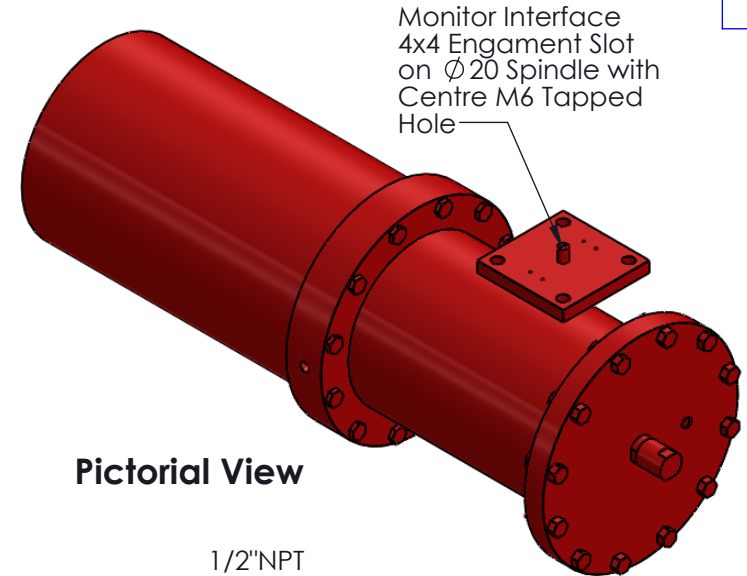
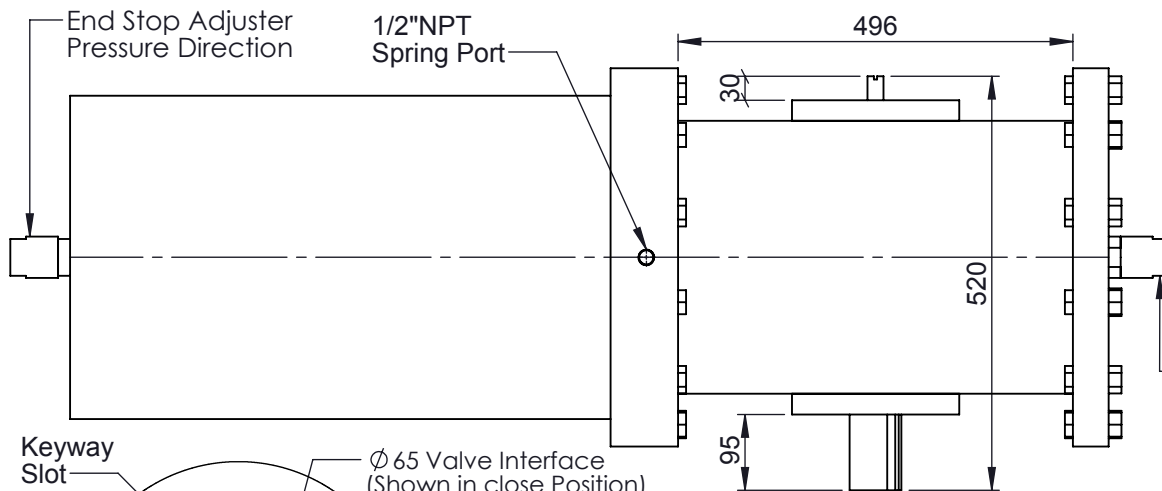


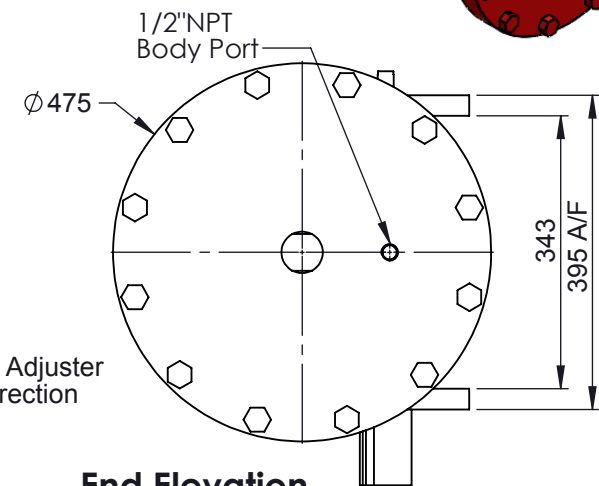
**Plan View**



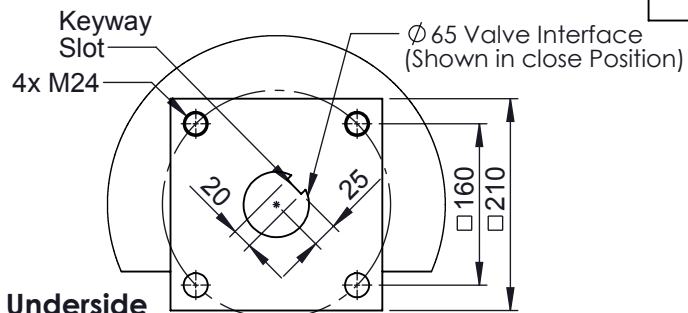
**Pictorial View**



**Front Elevation**



**End Elevation**



**Underside Flange**

SR - Weight (kg)	580.0 kg
SR - Swept Volume (l)	34.82 litres

REV	DRAWN	DATE	CHK'D	ECO
	KY	17/2/14		14-2179
A				
B				
C				
D				
E				

Unless specified otherwise  
 Dimensions in : mm  
 Surface Finish : 3.2  
 Tolerances  
 Linear : ± 0.25mm  
 Angular : ± 0.5°

TITLE:	<b>S120 SR Actuator - Pneumatic FO General Dimensions</b>	
DRG No:	<b>S120FO-DIM006</b>	

This private & confidential drawing is the property of Camtorc Actuators, UK and must not be copied or reproduced without the express written permission of the Company.

**CAMTORC Actuators**  
 UK Tel : +44(0) 8700 340002  
 www.camtorc.com

For reference and information only  
 MATERIAL:  
 ESTIMATED WEIGHT (Kg):

STATUS	ACTIVE
SCALE :-	SHEET 1 OF 1
	A4