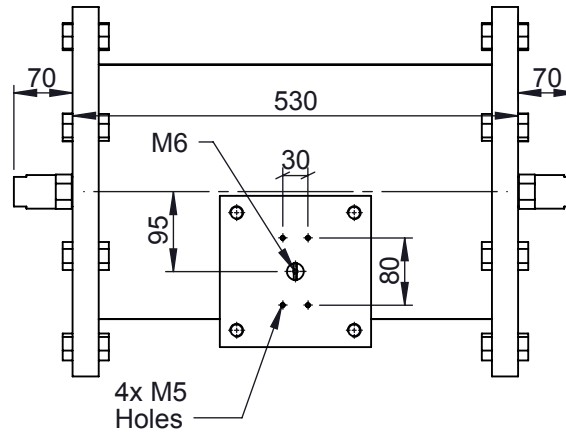
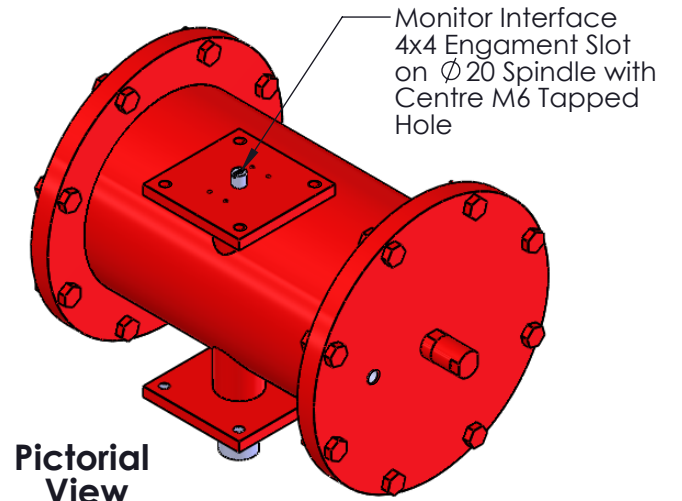


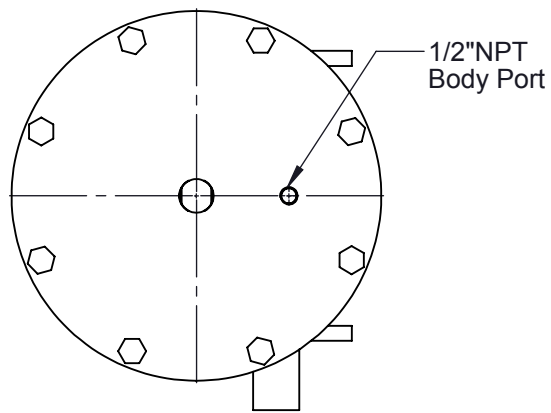
**Underside Flange**



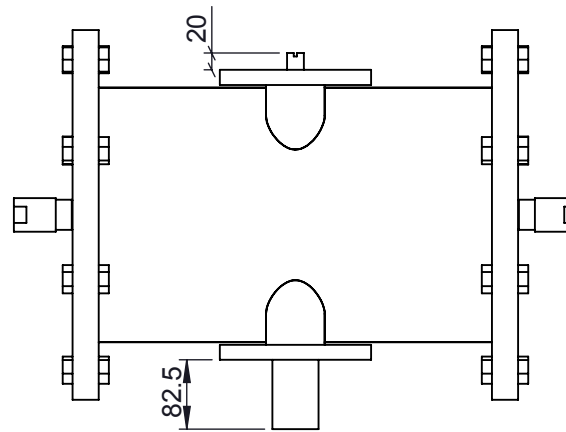
**Plan View**



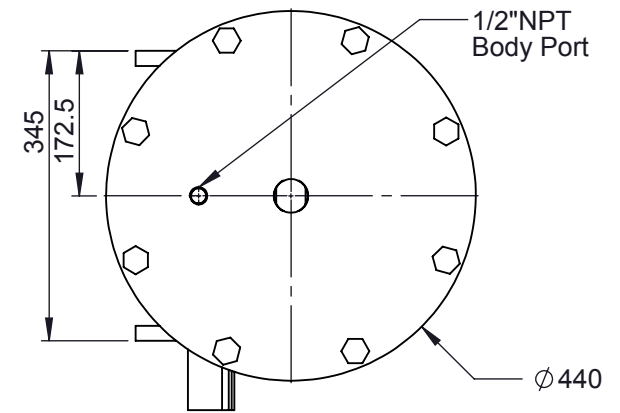
**Pictorial View**



**Left Elevation**



**Front Elevation**



**Right Elevation**

DA - Swept Volume (l) 10.73 litres

REV	DRAWN	DATE	CHK'D	ECO
	KY	14/1/14		14-2179
A				
B				
C				
D				
E				

Unless specified otherwise

Dimensions in : mm  
 Surface Finish : 3.2  
 Tolerances  
 Linear : ± 0.25mm  
 Angular : ± 0.5°

TITLE:

**S110 DOUBLE ACTING  
 PNEUMATIC  
 DA ACTUATOR DIMENSIONS**

DRG No:

**S110DA-DIM004**

ACTIVE

STATUS

This private & confidential drawing is the property of Camtorc Actuators, UK and must not be copied or reproduced without the express written permission of the Company.

**CAMTORC Actuators**  
 UK Tel : +44(0) 8700 340002  
 www.camtorc.com

For reference and information only

MATERIAL: Carbon Steel

ESTIMATED WEIGHT (Kg): 150 Kg Approx.

SCALE :-

SHEET 1 OF 1

A4