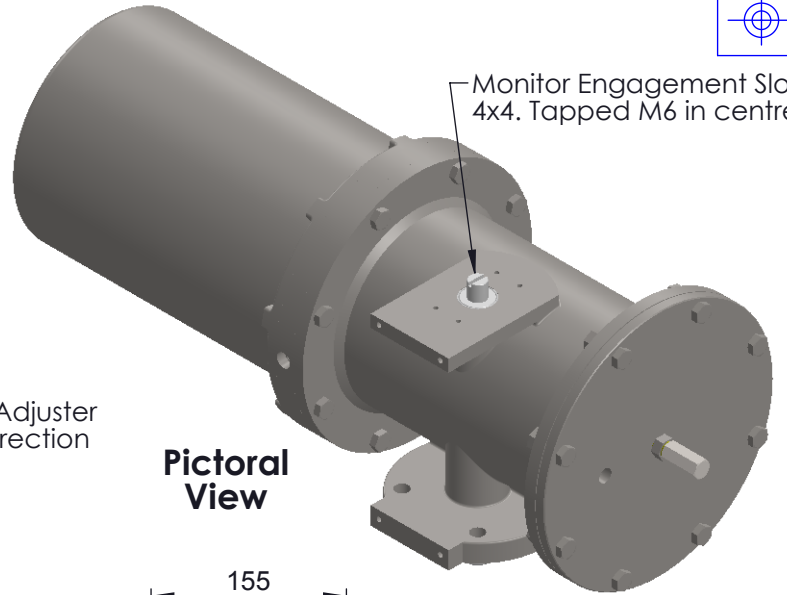
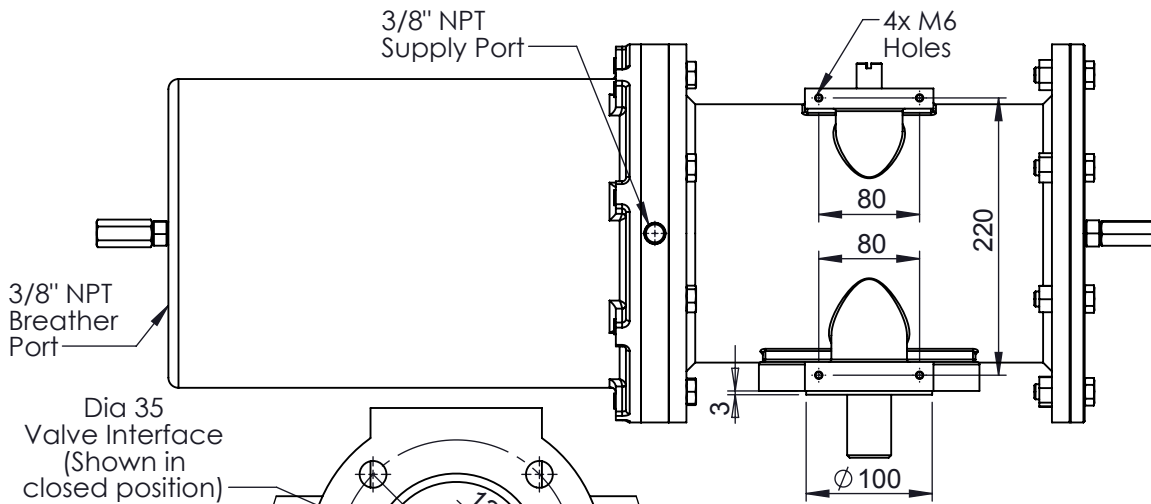


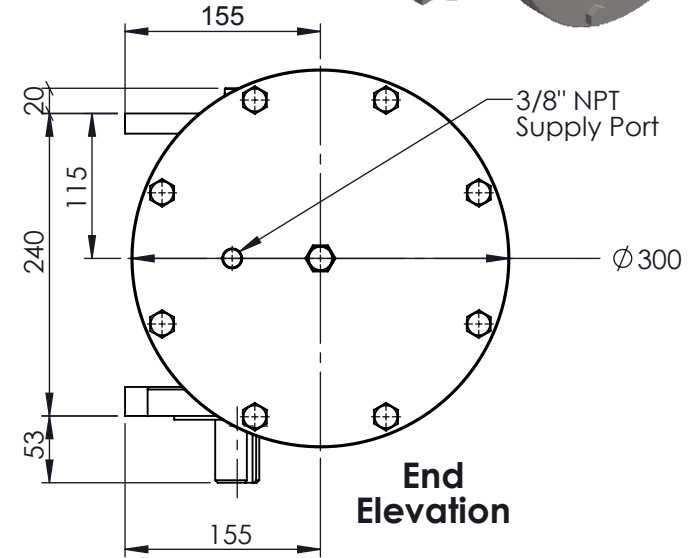
Plan View



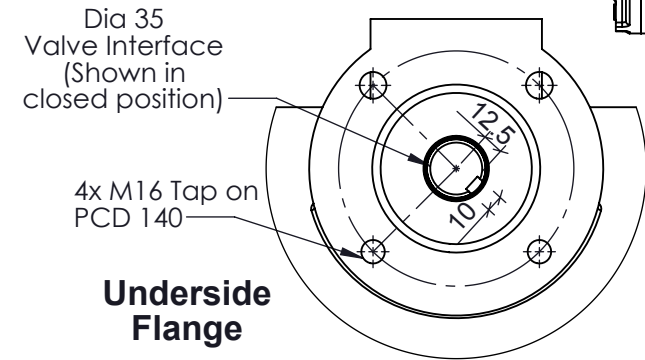
Pictorial View



Front Elevation



End Elevation



Underside Flange

SR - Swept Volume 7.23 litres

REV	DRAWN	DATE	CHK'D	ECO
	KY	6/7/2016		
A				
B				
C				
D				
E				

Unless specified otherwise

Dimensions in : mm
Surface Finish : 3.2
Tolerances
Linear : ± 0.25mm
Angular : ± 0.5°

TITLE:

S/SX75 SR Actuator - Pneumatic Fail Close / Cast Body - General Dimensions

This private & confidential drawing is the property of Camtorc Actuators, UK and must not be copied or reproduced without the express written permission of the Company.



CAMTORC Actuators
UK Tel : +44(0) 8700 340002
www.camtorc.com

For reference and information only

MATERIAL: CS or 316 SS

ESTIMATED WEIGHT (Kg): 102 Approx

DRG No:

SX75FC-DIM002

ACTIVE

STATUS

SCALE

SHEET 1 OF 1

A4