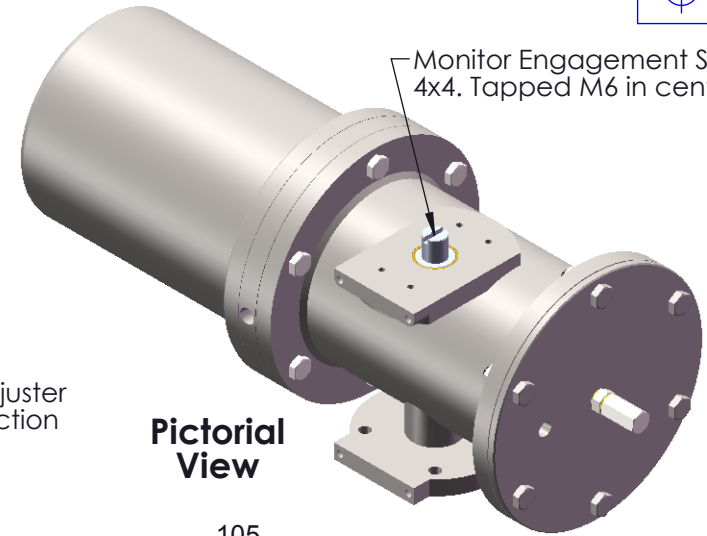
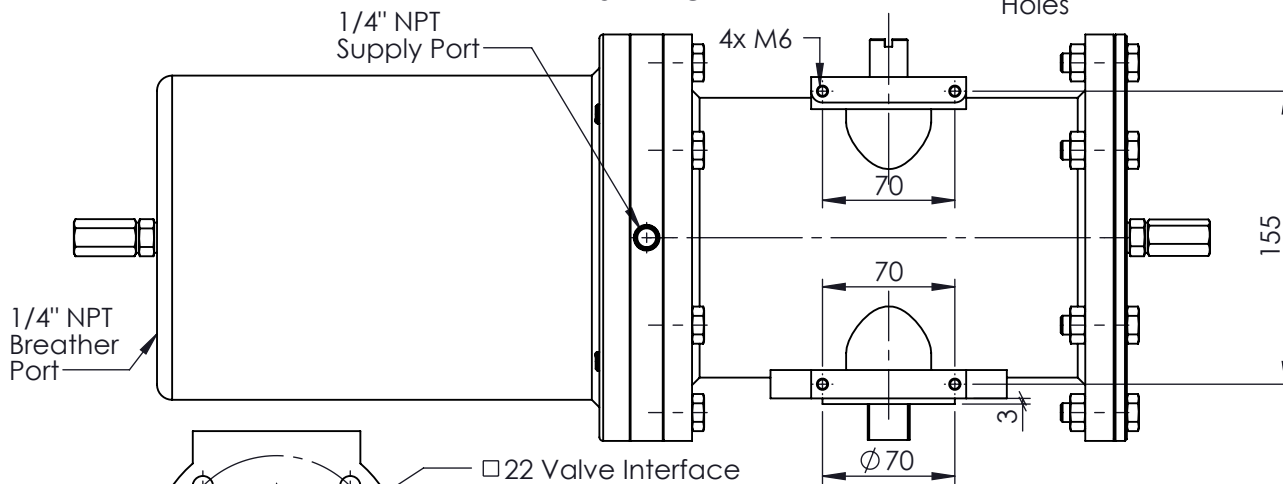


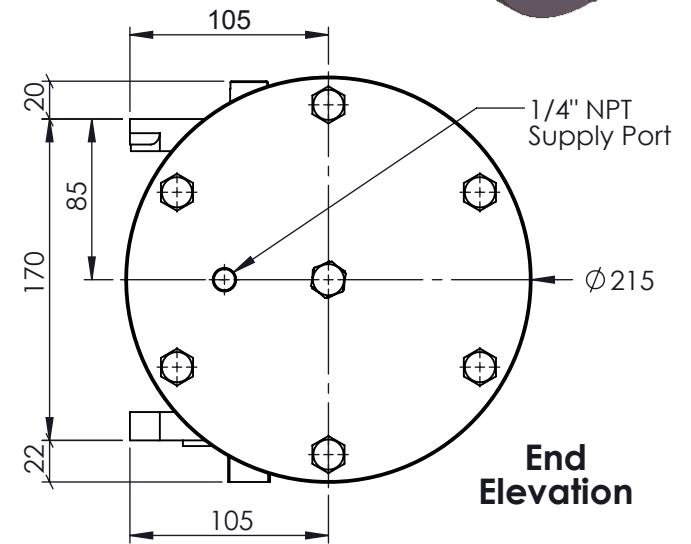
**Plan View**



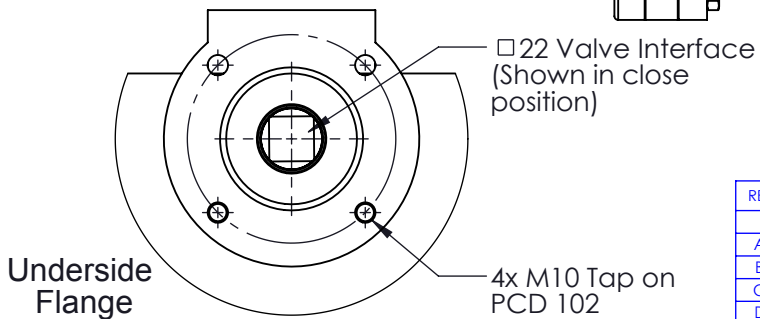
**Pictorial View**



**Front Elevation**



**End Elevation**



**Underside Flange**

SR - Swept Volume (l) 2.30 litres

| REV | DRAWN | DATE    | CHK'D | ECO     |
|-----|-------|---------|-------|---------|
|     | KY    | 30/1/14 |       | 14-2179 |
| A   |       |         |       |         |
| B   |       |         |       |         |
| C   |       |         |       |         |
| D   |       |         |       |         |
| E   |       |         |       |         |

Unless specified otherwise

Dimensions in : mm  
Surface Finish : 3.2  
Tolerances  
Linear : ± 0.25mm  
Angular : ± 0.5°

TITLE:

S/SX55 SR Actuator - Pneumatic Fail Close / Cast Body - General Dimensions

This private & confidential drawing is the property of Camtorc Actuators, UK and must not be copied or reproduced without the express written permission of the Company.



**CAMTORC Actuators**  
UK Tel : +44(0) 8700 340002  
www.camtorc.com

For reference and information only

MATERIAL: CS or 316SS  
ESTIMATED WEIGHT (Kg): 43 Approx.

DRG No:

SX55FC-DIM002

ACTIVE

STATUS

A4

SCALE

SHEET 1 OF 1