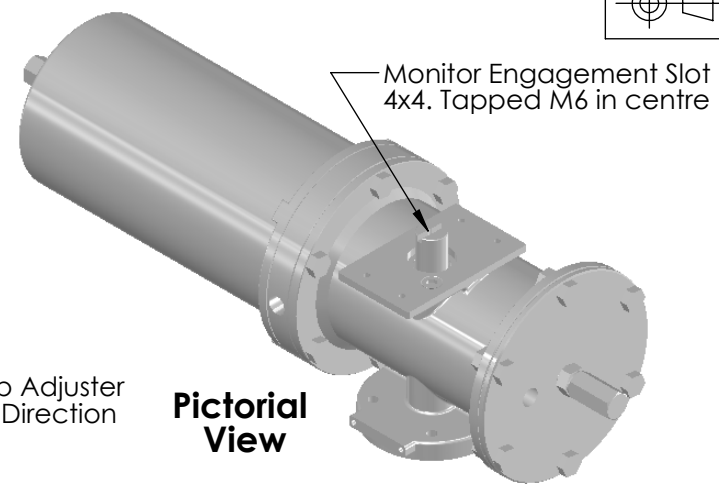
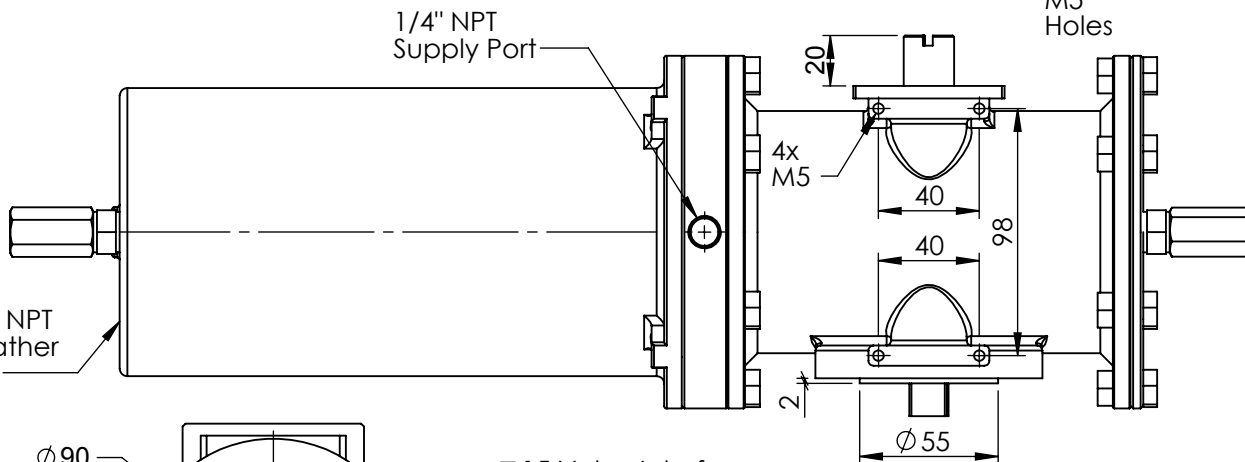


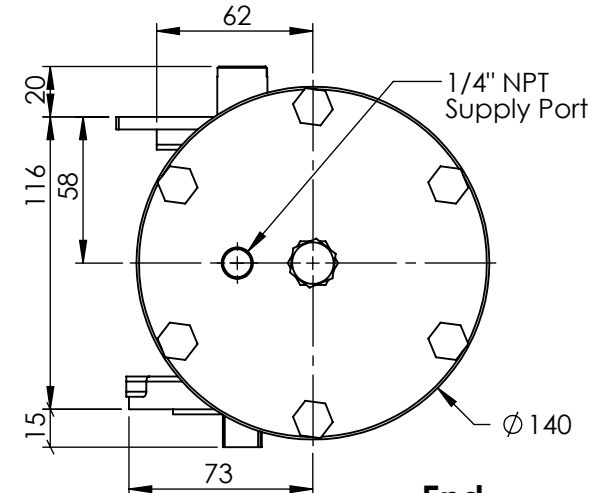
Plan View



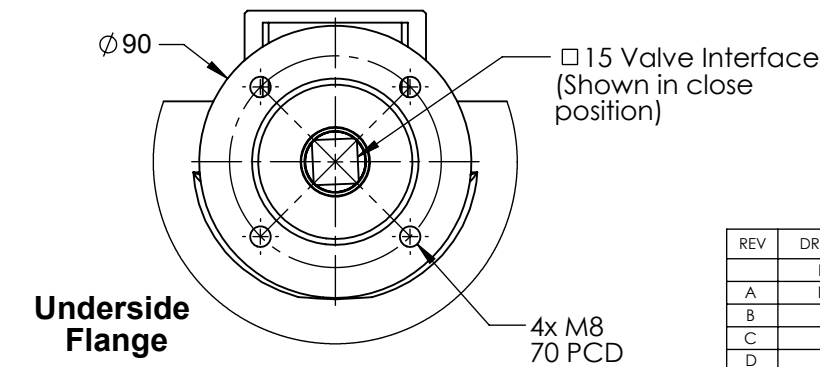
Pictorial View



Front Elevation



End Elevation



Underside Flange

SR - Swept Volume (l) 0.68 litres

REV	DRAWN	DATE	CHK'D	ECO
	KY	21/1/14		14-2179
A	PT	21/3/16		16-2179A
B				
C				
D				
E				

Unless specified otherwise
 Dimensions in : mm
 Surface Finish : 3.2
 Tolerances
 Linear : ± 0.25mm
 Angular : ± 0.5°

TITLE:
S/SX35 SR Actuator - Pneumatic Fail Close / Cast Body - General Dimensions

This private & confidential drawing is the property of Camtorc Actuators, UK and must not be copied or reproduced without the express written permission of the Company.

CAMTORC Actuators
 UK Tel : +44(0) 8700 340002
 www.camtorc.com

For reference and information only
 MATERIAL: CS or 316 SS
 ESTIMATED WEIGHT (Kg): 22 Approx.

DRG No:
SX35FC-DIM002-revA
 SCALE

ACTIVE
 STATUS
 A4