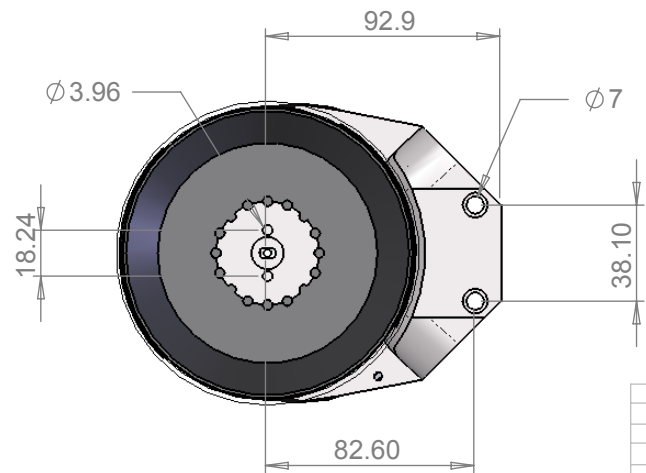


2 or 3 x Conduit Entry  
 Size Options:  
 Central Entries - M20, 1/2"NPT or 3/4"NPT  
 Offset Entries - M20 or 1/2"NPT



REV	DRAWN	DATE	CHK'D	ECO
	PT	25.10.12		12-1945

UNLESS OTHERWISE SPECIFIED:  
 DIMENSIONS ARE IN MILLIMETERS  
 SURFACE FINISH: 3.2 microns  
 TOLERANCES:  
 LINEAR: ±0.25mm  
 ANGULAR: ±0.5°

TITLE:	DQ Monitor - General Dimensions
DWG NO.	DQ-DIM001
SCALE:1:3	SHEET 1 OF 1

This private & confidential drawing is the property of Imtex Controls Limited, Tonbridge, UK and cannot be copied or reproduced without the express written permission of the Company.

**Imtex Controls Limited**  
 Unit 5A, Valley Industries, Hadlow Road  
 Tonbridge, Kent, TN11 0AH, United Kingdom  
 Tel:+44(0)1732-850360 Fax:+44(0)1732-852133  
 Website: [www.imtex-controls.com](http://www.imtex-controls.com)

DEBUR AND  
 BREAK SHARP  
 EDGES  
 MATERIAL: 316SS  
 WEIGHT(g): 2.5 kg / 3.1 kg

REV	
STATUS	
A4	