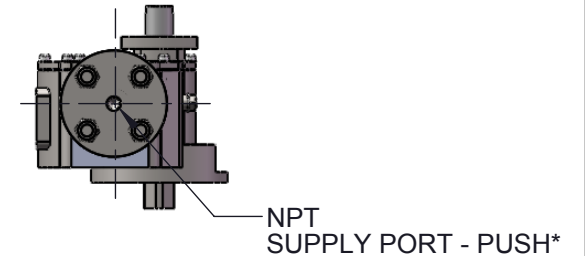
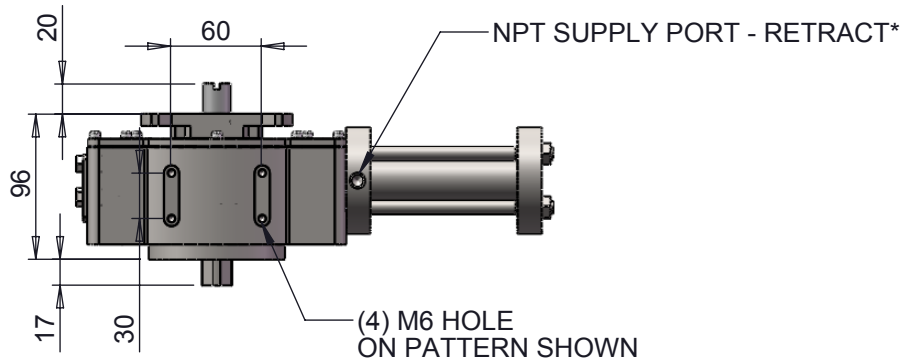
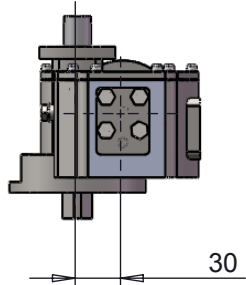
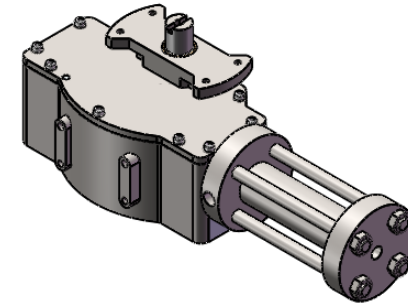
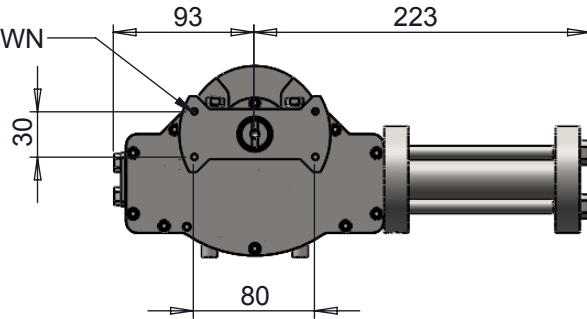
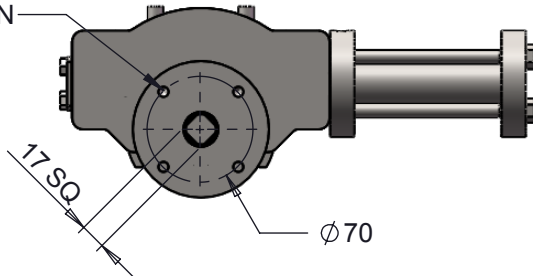


4(M5) HOLE
ON PATTERN SHOWN



(4) M8 HOLE
ON F07 PATTERN



DIMENSIONS ARE TYPICAL AND FOR INFORMATION ONLY.
FINAL DIMENSIONS MAY VARY IN DELIVERED PRODUCT

NOTE:

* HYDRAULIC CYLINDER CAN BE MOUNTED ON EITHER END OF THE BODY TO SUIT THE REQUIRED TORQUE CHARACTERISTICS.

HYDRAULIC CYLINDERS UP TP 30mm BORE HAVE 1/8"NPT PORTS. ALL OTHERS ARE 1/4"NPT.

REV	DRAWN	DATE	CHK'D	ECO
	PT	23.5.13		13-2076

UNLESS OTHERWISE SPECIFIED:
DIMENSIONS ARE IN MILLIMETERS
SURFACE FINISH: 3.2
TOLERANCES:
LINEAR: ±0.25mm
ANGULAR: ±0.5°

TITLE:
**CS/CX30-DA - Single Cyl
Hydraulic - Dimensional
Drawing**

This private & confidential drawing is the property of Camtorc Actuators, UK and cannot be copied or reproduced without the express written permission of the Company.

Camtorc Actuators
United Kingdom. Tel:+44(0)870-0340002
Website: www.camtorc.com

DEBUR AND
BREAK SHARP
EDGES
MATERIAL:
WEIGHT: - Excl Valve

DWG NO.
CS-CX30-DA-DIM009

SCALE:1:5

SHEET 1 OF 1

ACTIVE
STATUS
A4