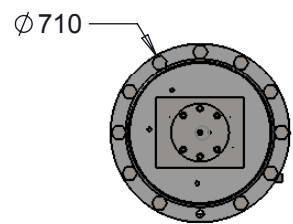
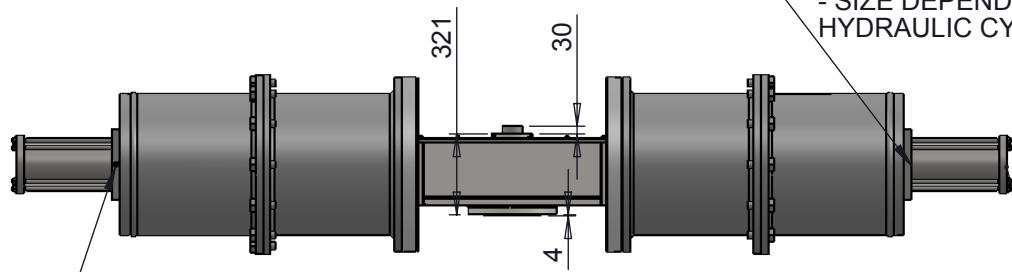
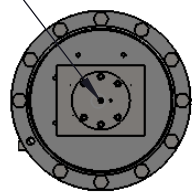


NPT SUPPLY PORT  
- SIZE DEPENDS ON  
HYDRAULIC CYL SIZE

(4) M5 HOLE  
ON PATTERN SHOWN

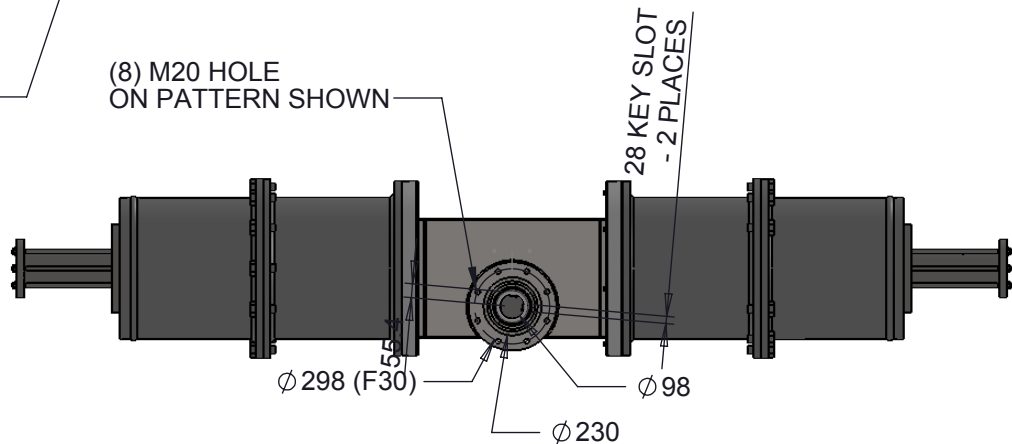
NPT SUPPLY PORT  
- SIZE DEPENDS ON  
HYDRAULIC CYL SIZE



NPT PORT to TANK - TO  
PROTECT AGAINST SEAL  
FAILURE LEAKAGE  
- SIZE DEPENDS ON  
HYDRAULIC CYL SIZE

(8) M20 HOLE  
ON PATTERN SHOWN

NPT PORT to TANK - TO  
PROTECT AGAINST SEAL  
FAILURE LEAKAGE  
- SIZE DEPENDS ON  
HYDRAULIC CYL SIZE



| REV | DRAWN<br>PT | DATE    | CHK'D | ECO |
|-----|-------------|---------|-------|-----|
|     |             | 29.2.14 |       |     |
|     |             |         |       |     |
|     |             |         |       |     |
|     |             |         |       |     |

UNLESS OTHERWISE SPECIFIED:  
DIMENSIONS ARE IN MILLIMETERS  
SURFACE FINISH: 3.2  
TOLERANCES:  
LINEAR: ±0.25mm  
ANGULAR: ±0.5°

TITLE:  
**CS150 SR - Hydraulic -  
General Dimensions**

This private & confidential drawing is the property of Camtorc Actuators, UK and cannot be copied or reproduced without the express written permission of the Company.

**Camtorc Actuators**  
United Kingdom. Tel:+44(0)870-0340002  
Website: [www.camtorc.com](http://www.camtorc.com)

DEBUR AND  
BREAK SHARP  
EDGES  
MATERIAL:  
WEIGHT: Approx 1300kg

DWG NO.  
**CS150-SRxx3-DIM003**

SCALE:1:25

SHEET 1 OF 1

ACTIVE  
STATUS  
A4