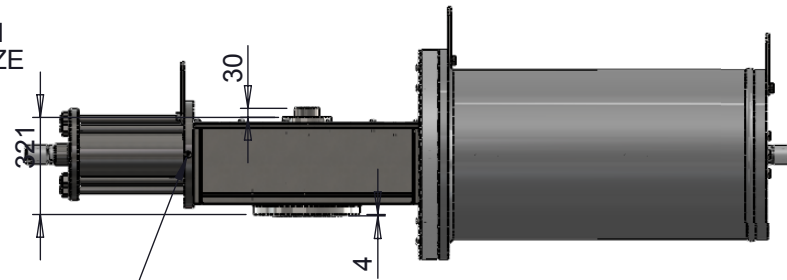
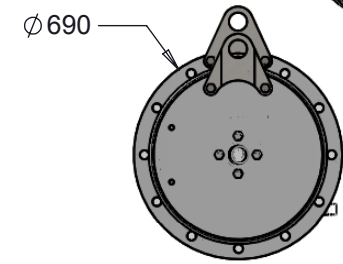


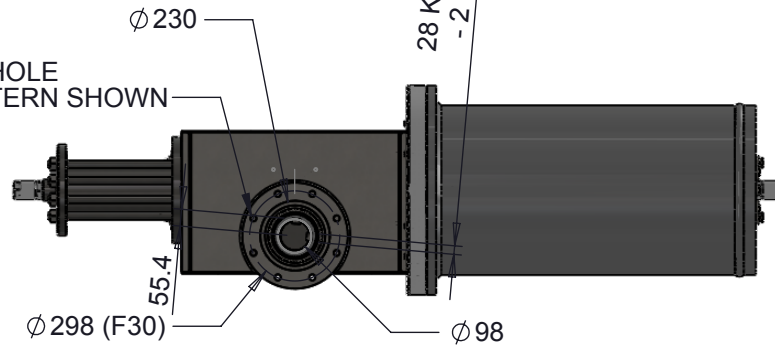
NPT SUPPLY PORT  
- SIZE DEPENDS ON  
HYDRAULIC CYL SIZE



NPT PORT TO TANK - TO  
PROTECT AGAINST SEAL  
FAILURE LEAKAGE  
- SIZE DEPENDS ON  
HYDRAULIC CYL SIZE



(8) M20 HOLE  
ON PATTERN SHOWN



REV	DRAWN	DATE	CHK'D	ECO
	PT	29.2.14		

UNLESS OTHERWISE SPECIFIED:  
DIMENSIONS ARE IN MILLIMETERS  
SURFACE FINISH: 3.2  
TOLERANCES:  
LINEAR: ±0.25mm  
ANGULAR: ±0.5°

TITLE:  
**CS150 SR - Hydraulic -  
General Dimensions**

This private & confidential drawing is the property of Camtorc Actuators, UK and cannot be copied or reproduced without the express written permission of the Company.

**Camtorc Actuators**  
United Kingdom. Tel:+44(0)870-0340002  
Website: [www.camtorc.com](http://www.camtorc.com)

DEBUR AND  
BREAK SHARP  
EDGES  
MATERIAL:  
WEIGHT: Approx 1450kg

DWG NO.  
**CS150-SRxx2-DIM003**

SCALE:1:25

SHEET 1 OF 1

ACTIVE  
STATUS  
A4