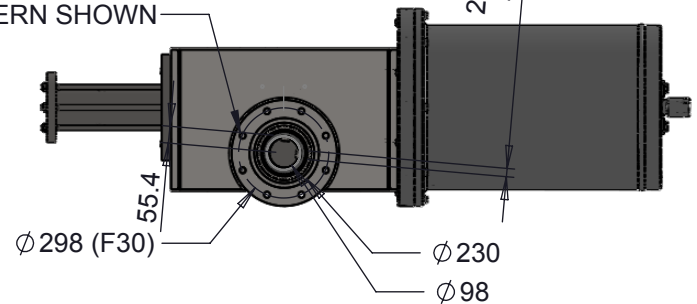


NPT PORT to TANK - TO
PROTECT AGAINST SEAL
FAILURE LEAKAGE
- SIZE DEPENDS ON
HYDRAULIC CYL SIZE

(8) M20 HOLE
ON PATTERN SHOWN



REV	DRAWN	DATE	CHK'D	ECO
	PT	29.2.14		

UNLESS OTHERWISE SPECIFIED:
DIMENSIONS ARE IN MILLIMETERS
SURFACE FINISH: 3.2
TOLERANCES:
LINEAR: ±0.25mm
ANGULAR: ±0.5°

TITLE:

CS150 SR - Hydraulic -
General Dimensions

This private & confidential drawing is the property
of Camtorc Actuators, UK and cannot
be copied or reproduced without the express
written permission of the Company.

Camtorc Actuators
United Kingdom. Tel:+44(0)870-0340002
Website: www.camtorc.com

DEBUR AND
BREAK SHARP
EDGES
MATERIAL:
WEIGHT: Approx 1300kg

DWG NO.

CS150-SRxx1-DIM003

SCALE:1:25

SHEET 1 OF 1

ACTIVE

STATUS

A4