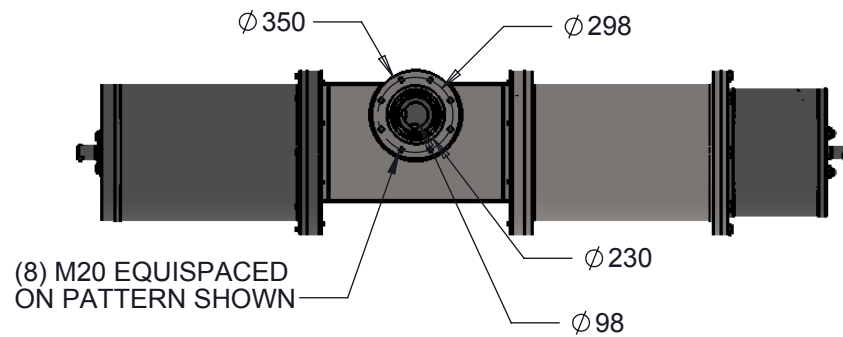


AIR CYLINDER DIMENSION
- DEPENDENT ON SELECTED MODEL



REV	DRAWN	DATE	CHK'D	ECO
	PT	13.3.17		
A	PT	6.4.17		17-2609

UNLESS OTHERWISE SPECIFIED:
DIMENSIONS ARE IN MILLIMETERS
SURFACE FINISH: 3.2
TOLERANCES:
LINEAR: ±0.25mm
ANGULAR: ±0.5°

TITLE:

CS150 - Pneumatic - SR -
Dual Spring and Cylinder -
FO - General Dimensions

This private & confidential drawing is the property of Camtorc Actuators, UK and cannot be copied or reproduced without the express written permission of the Company.

Camtorc Actuators
United Kingdom. Tel: +44(0)870-0340002
Website: www.camtorc.com

DEBUR AND
BREAK SHARP
EDGES

MATERIAL:

WEIGHT: Approx 2200kg - Excl Valve

DWG NO.

CS150-SRxx1-DIM016

SCALE: 1:30

SHEET 1 OF 1

ACTIVE
A
STATUS

A4