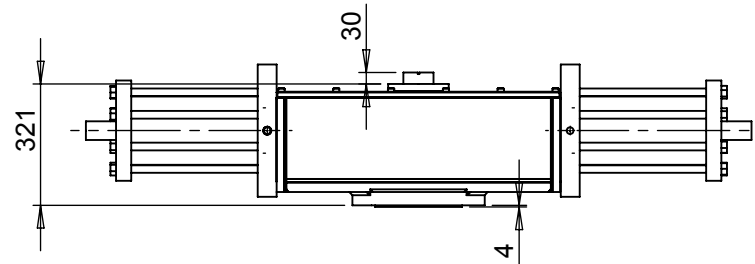
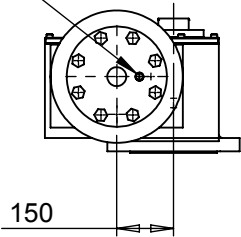
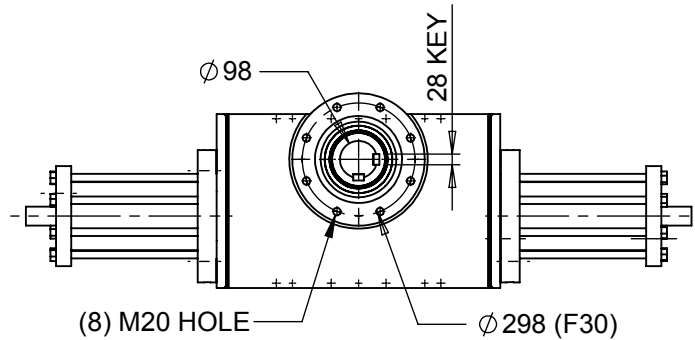
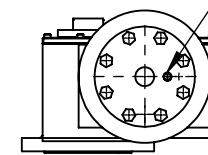


NPT SUPPLY PORT



NPT SUPPLY PORT



REV	DRAWN	DATE	CHK'D	ECO
	PT	21.10.14		14-2295

UNLESS OTHERWISE SPECIFIED:
 DIMENSIONS ARE IN MILLIMETERS
 SURFACE FINISH: 3.2
 TOLERANCES:
 LINEAR: ±0.25mm
 ANGULAR: ±0.5°

TITLE:
**CS150-DA Hydraulic Actuator
 - Dimensions**

This private & confidential drawing is the property of Camtorc Actuators, Tonbridge, UK and cannot be copied or reproduced without the express written permission of the Company.

Camtorc Actuators
 Tonbridge, United Kingdom.
 Tel: +44 (0)870-0340002
 Website: www.camtorc.com

DEBUR AND
 BREAK SHARP
 EDGES

MATERIAL:

WEIGHT: 475kg Approx - Excl Valve

DWG NO.

CS150-DA-DIM010

SCALE: 1:20

SHEET 1 OF 1

ACTIVE
-
STATUS
-
A4