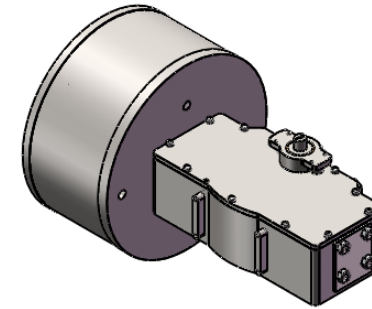
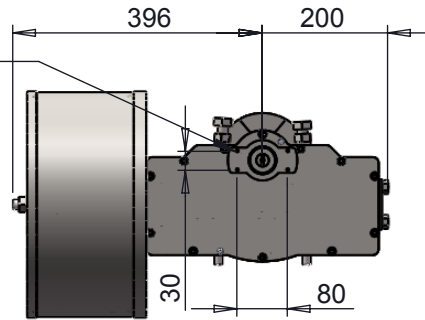
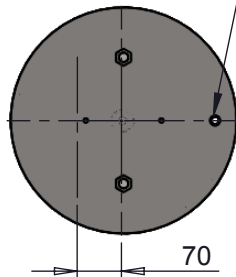


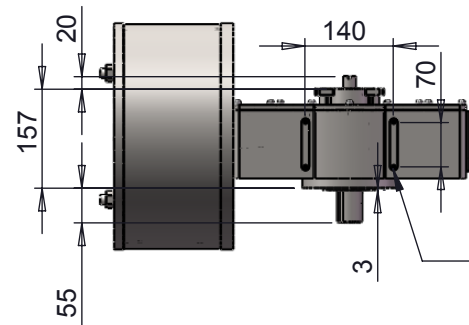
4(M5) HOLE
ON PATTERN SHOWN



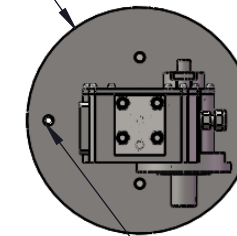
3/8" NPT
SUPPLY PORT 1



DIAMETER DEPENDS
ON CYLINDER MODEL

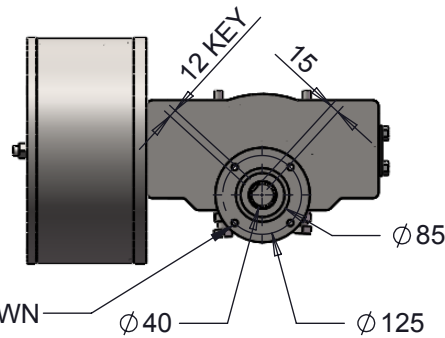


4(M6) HOLE
ON PATTERN SHOWN



3/8" NPT
SUPPLY PORT 2

4(M12) HOLE
ON PATTERN SHOWN



REV	DRAWN	DATE	CHK'D	ECO
	PT	4.3.11		11-1560

UNLESS OTHERWISE SPECIFIED:
DIMENSIONS ARE IN MILLIMETERS
SURFACE FINISH: 3.2
TOLERANCES:
LINEAR: ±0.25mm
ANGULAR: ±0.5°

TITLE:
CS-CX70 DA - Dimensional Drawing

This private & confidential drawing is the property of Camtorc Actuators, UK and cannot be copied or reproduced without the express written permission of the Company.

Camtorc Actuators
United Kingdom. Tel:+44(0)870-0340002
Website: www.camtorc.com

DEBUR AND BREAK SHARP EDGES
MATERIAL: CS or 316SS
WEIGHT: 78915.99 - Excl Valve

DWG NO. **CS-CX70-DA-DIM007**

SCALE:1:12

SHEET 1 OF 1

ACTIVE - STATUS R
A4