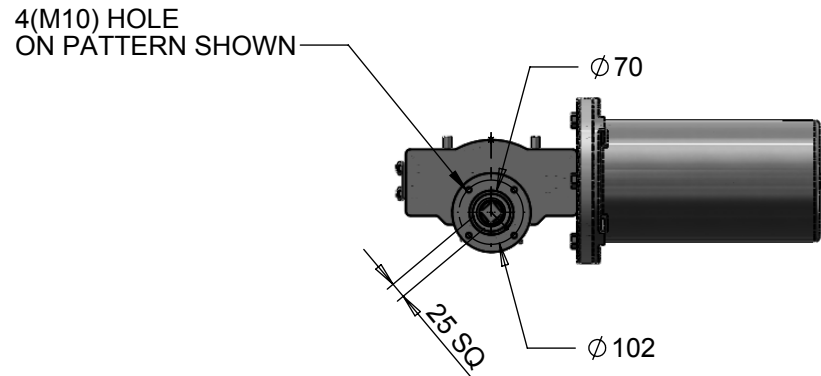


3/8" NPT
BREATHER PORT



REV	DRAWN	DATE	CHK'D	ECO
	PT	24.5.13		13-2076

UNLESS OTHERWISE SPECIFIED:
DIMENSIONS ARE IN MILLIMETERS
SURFACE FINISH: 3.2
TOLERANCES:
LINEAR: ±0.25mm
ANGULAR: ±0.5°

TITLE:

CS/CX50 SR1 Dimensional
Drawing

This private & confidential drawing is the property of Camtorc Actuators, UK and cannot be copied or reproduced without the express written permission of the Company.

Camtorc Actuators
United Kingdom. Tel: +44(0)870-0340002
Website: www.camtorc.com

DEBUR AND
BREAK SHARP
EDGES

MATERIAL:

WEIGHT: - Excl Valve

DWG NO.

CS-CX50-SRxx1-DIM001

SCALE: 1:12

SHEET 1 OF 1

ACTIVE
-
STATUS

A4