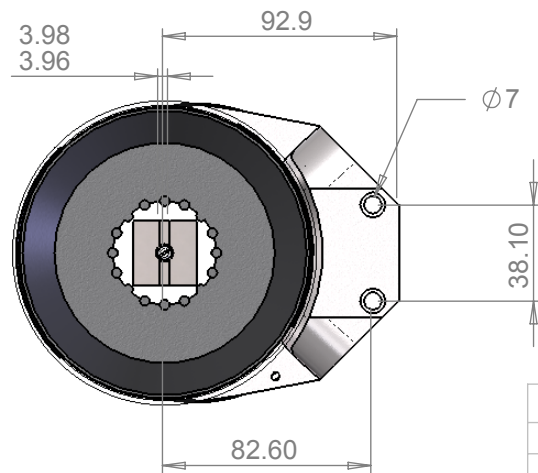


2 or 3 x Conduit Entry
 Size Options:
 Central Entries - M20, 1/2"NPT or 3/4"NPT
 Offset Entries - M20 or 1/2"NPT



REV	DRAWN	DATE	CHK'D	ECO	UNLESS OTHERWISE SPECIFIED: DIMENSIONS ARE IN MILLIMETERS SURFACE FINISH: 3.2 microns TOLERANCES: LINEAR: ±0.25mm ANGULAR: ±0.5°	TITLE:
	PT	25.10.12		12-1945		AQ Monitor - NAMUR Block - General Dimensions

This private & confidential drawing is the property of Imtex Controls Limited, UK and cannot be copied or reproduced without the express written permission of the Company.

Imtex Controls Limited
 Deeside, Flintshire
 United Kingdom. Tel:+44(0)870-0340002
 Website: www.imtex-controls.com

DEBUR AND
 BREAK SHARP
 EDGES
 MATERIAL: 316SS (or Al)
 WEIGHT(g): 2.5 kg (not Al)

DWG NO.	AQ-DIM004	REV	
SCALE: 1:3	SHEET 1 OF 1	STATUS	A4