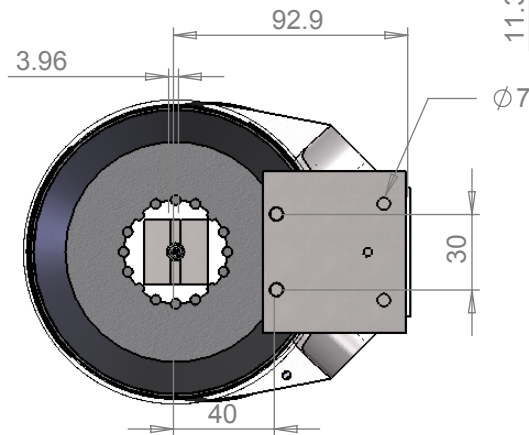


2 or 3 x Conduit Entry  
 Size Options:  
 Central Entries - M20, 1/2"NPT or 3/4"NPT  
 Offset Entries - M20 or 1/2"NPT



REV	DRAWN	DATE	CHK'D	ECO
	PT	25.10.12		12-1945

UNLESS OTHERWISE SPECIFIED:  
 DIMENSIONS ARE IN MILLIMETERS  
 SURFACE FINISH: 3.2 microns  
 TOLERANCES:  
 LINEAR: ±0.25mm  
 ANGULAR: ±0.5°

TITLE:  
 Valve Position Monitor - Mount  
 to Size 1 NAMUR

This private & confidential drawing is the property of Imtex Controls Limited, UK and cannot be copied or reproduced without the express written permission of the Company.

**Imtex Controls Limited**  
 Deeside, Flintshire  
 United Kingdom. Tel:+44(0)870-0340002  
 Website: [www.imtex-controls.com](http://www.imtex-controls.com)

DEBUR AND  
 BREAK SHARP  
 EDGES  
 MATERIAL: 316L SS  
 WEIGHT(g): 2.5 kg / 3.1 kg (not AI)

DWG NO. **AQ-DIM001-NAMUR-S1**  
 SCALE:1:3  
 SHEET 1 OF 1

REV  
 STATUS  
 A4