

Type SRA

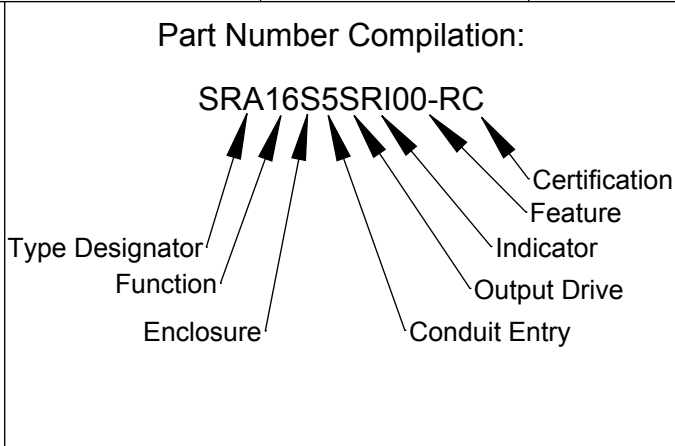
<u>FUNCTION</u>	<u>ENCLOSURE</u>	<u>CONDUIT</u>	<u>OUTPUT DRIVE</u>	<u>INDICATOR</u>	<u>FEATURE</u>
14 - (2) DPDT Mechanical Switch up to 10 amps @ 125/250 VAC up to 0.5 amps @ 125 VDC	9 - Aluminium Cover & Housing	5 - (2) M20 x 1.5	L - 15mm NAMUR Output	R - RED CLOSED / GREEN OPEN (ABS material of construction)	- IXX - Feature Designator See Note 1 below
16 - (2) SPDT Mechanical Switch up to 10 amps @ 125/250 VAC up to 0.5 amps @ 125 VDC		8 - (1) 3/4" & (1) 1/2" NPT	M - 25mm NAMUR Output	B - BLUE CLOSED / WHITE OPEN (ABS material of construction)	
17 - (2) SPDT Gold Contact Mechanical Switch up to 1 amp @ 125 VAC up to 0.5 amps @ 30VDC		B - (2) 1/2" NPT	S - 2 Pin Drive	E - RED CLOSED / YELLOW OPEN (ABS material of construction)	
25 - (2) SPDT Reed Switch Max Current: 3 Amps Max Power: 100 Watts/VA		D - (2) M25 x 1.5		W - RED CLOSED / WHITE OPEN (ABS material of construction)	
40 - (2) SPST or SPDT Reed Switch 0.15 Amps @ 125VAC/30VDC		E - (1) M25 & (1) M20		Y - NAVY BLUE CLOSED / YELLOW OPEN (ABS material of construction)	
42 - (2) V3 Style Proximity Sensor Op Voltages (sensor dependent) 10 to 60VDC 10 to 250VAC		F - (2) 3/4" NPT		O - NO VISUAL INDICATOR	
Op Current (sensor dependent) 2 to 400mA					
43 - (2) Non V3 Style Proximity Sensor Op Voltages (sensor dependent) 10 to 60VDC 10 to 250VAC					
Op Current (sensor dependent) 2 to 400mA					
52 - (3 or 4) V3 Style Proximity Sensor Op Voltages (sensor dependent) 10 to 60VDC 10 to 250VAC					

CERTIFICATION

- RC - Custom Union Certified
Added after Feature to denote unit is CU certified version

53 - (3 or 4) Non V3 Style Proximity Sensor Op Voltages (sensor dependent) 10 to 60VDC 10 to 250VAC Op Current (sensor dependent) 2 to 400mA
55 - (3 or 4) SPDT Mechanical Switch up to 11 amps @ 125/250 VAC up to 0.5 amps @ 125 VDC
56 - (3 or 4) SPDT Gold Contact Mechanical Switch up to 1 amp @ 125 VAC up to 0.5 amps @ 30VDC
58 - (3 or 4) SPDT Reed Switch Max Current: 3 Amps Max Power: 100 Watts/VA
59 - (3 or 4) SPST or SPDT Reed Switch 0.15 Amps @ 125VAC/30VDC
70 - POSITION TRANSMITTER 4-20mA @ 10 - 40 VDC monitor may include up to 2 additional switch/sensors from functions 16, 17, 25, 40, 42 or 43

92 - (1) DeviceNet VCT Module Op Voltage - 24VDC Max Current 160mA
93 - (1) Foundation Fieldbus VCT Module (bus powered) Op Voltage - 6.5VDC Max Current 5mA
94 - (1) Foundation Fieldbus VCT Module (external power) Op Voltage - 24VDC Max Current 200mA
95 - (1) Modbus VCT Module Op Voltage - 24VDC Max Current 160mA
96 - (1) AS-Interface VCT Module Op Voltage - 24-30VDC Max Current 160mA
97 - (1) AS-Interface VCT Module (extended addressing) Op Voltage - 24 - 30VDC Max Current 100mA



NOTE 1:

The exact detail of switches/sensors/transmitters fitted in the monitor is not fully specified by the basic part number. The 'feature designator' provides a mechanism for cross-referencing to a centralised log establish the make and model of parts fitted in a given unit.

FURTHER NOTES:

The maximum permitted power that can be dissipated within a monitor is specified on drawing A160189 and the electrical characteristics and ratings of the components fitted must not allow this value to be exceeded.

REV	DRAWN	DATE	CHK'D	ECO	UNLESS OTHERWISE SPECIFIED: DIMENSIONS ARE IN MILLIMETERS SURFACE FINISH: 3.2 microns TOLERANCES: LINEAR: ±0.25mm ANGULAR: ±0.5°
	PT	11.8.14		14-2268	

TITLE:

SRA Master Model Description - Exd Custom Union

This private & confidential drawing is the property of Imtex Controls Limited, Tonbridge, UK and cannot be copied or reproduced without the express written permission of the Company.

Imtex Controls Limited
Deeside, Flintshire
United Kingdom. Tel:+44(0)870-0340002
Website: www.imtex-controls.com

DEBUR AND BREAK SHARP EDGES	DWG NO.	A190305	REV
MATERIAL:			STATUS
WEIGHT(g):	SCALE:1:1		SHEET 1 OF 1
			A4