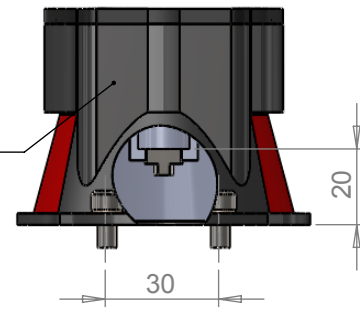
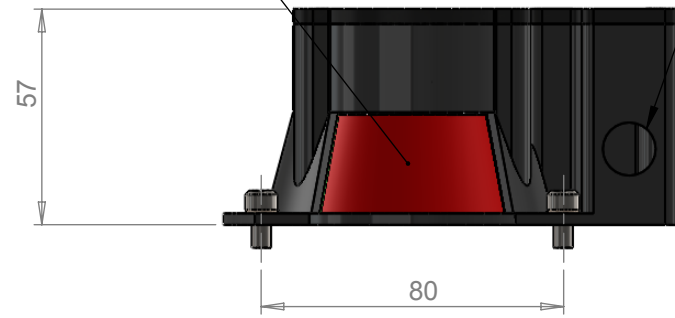


Hard Anodised & Powder Coated High Pressure Die Cast Enclosure

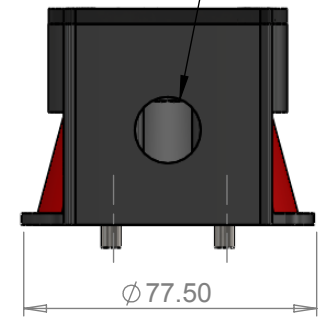


Red/Green Indicator

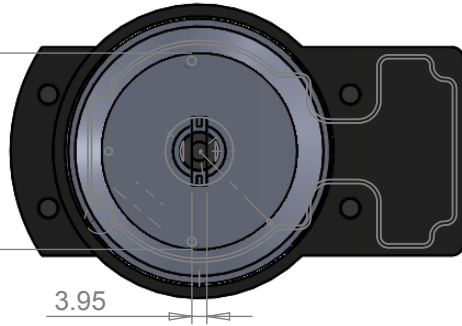


M16 Gland Entry - for SOV Backwire if required

M20 Gland Entry



Ø 50 Max Actuator Shaft Dimension



NOTE:
For NAMUR Size 2 to 4 - Spacer adapters are available.

REV	DRAWN	DATE	CHK'D	ECO	UNLESS OTHERWISE SPECIFIED: DIMENSIONS ARE IN MILLIMETERS SURFACE FINISH: 3.2 microns TOLERANCES: LINEAR: ±0.25mm ANGULAR: ±0.5°	TITLE:		
	PT	Dec-16				LCA Dimensional Information		
						DWG NO.	LCA-DIM001	
						SCALE:1:2	SHEET 1 OF 1	
This private & confidential drawing is the property of Imtex Controls Limited, UK and cannot be copied or reproduced without the express written permission of the Company.					Imtex Controls Limited Deeside, Flintshire United Kingdom. Tel:+44(0)870-0340002 Website: www.imtex-controls.com		DEBUR AND BREAK SHARP EDGES	REV
							MATERIAL: WEIGHT(g):	STATUS A4