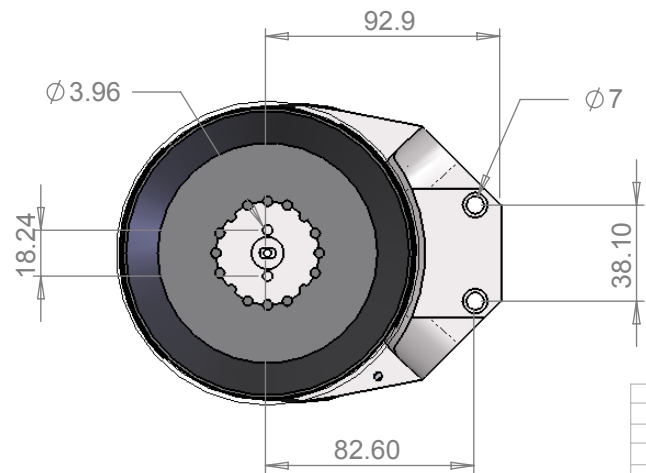


2 or 3 x Conduit Entry
 Size Options:
 Central Entries - M20, 1/2"NPT or 3/4"NPT
 Offset Entries - M20 or 1/2"NPT



REV	DRAWN	DATE	CHK'D	ECO
	PT	25.10.12		12-1945

UNLESS OTHERWISE SPECIFIED:
 DIMENSIONS ARE IN MILLIMETERS
 SURFACE FINISH: 3.2 microns
 TOLERANCES:
 LINEAR: ±0.25mm
 ANGULAR: ±0.5°

TITLE:	IQ Monitor - General Dimensions
DWG NO.	

This private & confidential drawing is the property of Imtex Controls Limited, Tonbridge, UK and cannot be copied or reproduced without the express written permission of the Company.

Imtex Controls Limited
 Unit 5A, Valley Industries, Hadlow Road
 Tonbridge, Kent, TN11 0AH, United Kingdom
 Tel:+44(0)1732-850360 Fax:+44(0)1732-852133
 Website: www.imtex-controls.com

DEBUR AND
 BREAK SHARP
 EDGES
 MATERIAL: 316SS
 WEIGHT(g): 2.5 kg / 3.1 kg

SCALE:1:3	SHEET 1 OF 1	REV
		STATUS
		A4

IQ-DIM001