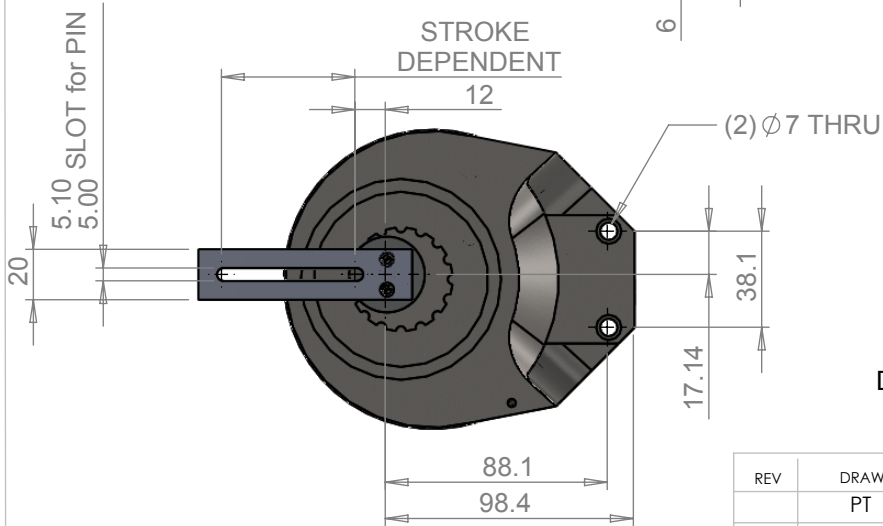


2 or 3 x Conduit Entry
 Size Options:
 Central Entries - M20, 1/2"NPT or 3/4"NPT
 Offset Entries - M20 or 1/2"NPT



DRIVE ARM TO SUIT LINEAR TRAVEL UP TO 20 INCH
 - UNIT SHOWN AT MID-POINT OF TRAVEL

REV	DRAWN	DATE	CHK'D	ECO
	PT	12.6.17		18-2738

UNLESS OTHERWISE SPECIFIED:
 DIMENSIONS ARE IN MILLIMETERS
 SURFACE FINISH: 3.2 microns
 TOLERANCES:
 LINEAR: ±0.25mm
 ANGULAR: ±0.5°

TITLE:

Valve Position Monitor - Dimensions

This private & confidential drawing is the property of Imtex Controls Limited, UK and cannot be copied or reproduced without the express written permission of the Company.

Imtex Controls Limited
 Deeside, Flintshire
 United Kingdom. Tel:+44(0)870-0340002
 Website: www.imtex-controls.com

DEBUR AND
 BREAK SHARP
 EDGES

MATERIAL: 316LSS

WEIGHT(g):

DWG NO.

AQ-DIM005

SCALE:1:5

SHEET 1 OF 1

REV
 -
 STATUS
 -
 A4