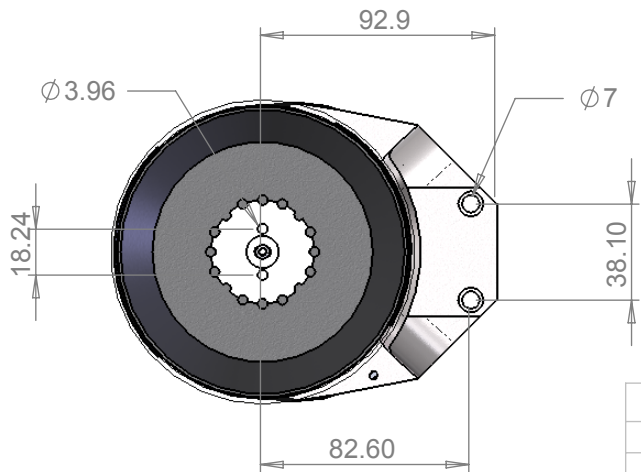


2 or 3 x Conduit Entry
 Size Options:
 Central Entries - M20, 1/2"NPT or 3/4"NPT
 Offset Entries - M20 or 1/2"NPT

94.4
 (136.0 - TALL COVER)
 100.9
 (142.5 - TALL COVER))



REV	DRAWN	DATE	CHK'D	ECO
	PT	25.10.12		12-1945

UNLESS OTHERWISE SPECIFIED:
 DIMENSIONS ARE IN MILLIMETERS
 SURFACE FINISH: 3.2 microns
 TOLERANCES:
 LINEAR: ±0.25mm
 ANGULAR: ±0.5°

TITLE:
 Valve Position Montor

This private & confidential drawing is the property of Imtex Controls Limited, UK and cannot be copied or reproduced without the express written permission of the Company.

Imtex Controls Limited
 Deeside, Flintshire
 United Kingdom. Tel:+44(0)870-0340002
 Website: www.imtex-controls.com

DEBUR AND
 BREAK SHARP
 EDGES
 MATERIAL: 316L SS
 WEIGHT(g): 2.5 kg / 3.1 kg (not AI)

DWG NO. **AQ-DIM001**
 SCALE:1:3
 SHEET 1 OF 1

REV
STATUS
A4