

Instructions

Type SRX Valve Position Monitors are designed to provide high accuracy feedback of valve position to plant control systems. These instructions outline the requirements for ensuring a long and trouble free service life from the monitors.

Installation - Mounting

Attach mounting plate (1) to the actuator using fasteners (2) and lockwashers (2a) provided with mounting kit (if supplied by Imtex).

Loosen indicator cover set screw (3) and rotate indicator cover (4) to desired viewing angle. Retighten set screw (3).

Fit monitor assembly to actuator ensuring that the NAMUR shaft (7) engages the shaft of the actuator (9). If a torque coupler (7a) is used instead of the NAMUR shaft on Non-NAMUR actuators, ensure this is securely fitted to the underside of the monitor using the screw, flatwasher and lockwasher supplied (7b/7c/7d) before fitting over the flats on the actuator shaft (9). Secure the assembly using the screws (10) and lockwashers (11) provided with the mounting kit.

Fine tune the indicator cover (4) by loosening set screw (3). Retighten set screw when completed.

Operate the actuator to ensure proper alignment between monitor and actuator. Eccentricity of the shaft must not exceed 0.25mm. If it should be necessary, re-align monitor by loosening mount screws (10). Retighten screws when satisfied with alignment.

Installation - Wiring & Switch Setting

Once the monitor is fitted to the actuator, remove cover (12) by loosening and removing the 4-off cover lock screws (13).

Bring field wiring into the enclosure via the conduit entries (14) fitted with a suitable cable gland. Use blanking plugs to block off any un-used cable entries. NOTE: Suitable IP6x rated cable glands, blanking plugs and thread adaptors must be used to maintain monitor IP rating. On flameproof enclosures, only ATEX/IECEX certified Exd cable gland, blanking plugs and thread adaptors can be used. Blanking plugs must not be used with a gland adaptor.

Connect field wiring to the terminals (15) within the enclosure according to the wiring diagram and terminal labelling. Connect earth conductor (which forms part of the supply cable and MUST be at least equal to the size of the phase conductors) to the internal earth point (18). Connect the external earth/equipotential bonding conductor to the monitor using the external earth clamp assembly (19). Conductor should be 4mm² (min)

For monitors fitted with standard cam/spline activated switches/sensors, drive the actuator to the first required indication position and set the bottom switch by lifting and rotating the bottom cam (16). Secure the cam by allowing it to fully re-engage with the spline (17).

Repeat the process for each switch in-turn by lifting/pushing down the appropriate cam, rotating and re-engaging as desired position is reached.

For monitors with barrel or slotted sensors, or with a transmitter, consult page 2 of these instructions for 'Further Setting Instructions'.

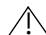
Once completed, verify that indication is as required by fully stroking the actuator. Then refit cover (12) and secure using the 6-off cover lock screws (13). NOTE: The shaft inside the monitor is a 'split' design at the point indicated (5). The top portion which drives the indicator MUST properly engage the bottom portion before re-tightening the screws (13). When fitting the cover, gently 'rotate' it until the shafts engage and the cover drops into place. DO NOT APPLY EXCESSIVE FORCE.

SPECIAL CONDITIONS FOR FLAMEPROOF ENCLOSURES - ATEX / IECEX

Installation should be carried out by suitably trained personnel to an applicable Code of Practice (eg IEC/EN60079-14).

Only suitably IP and Exd certified and temperature rated cable glands, thread adaptors and blanking plugs are permitted for use with ATEX/IECEX flameproof enclosures.

WARNING - For units operating at +60 °C, cable, cable glands or conductors in conduit shall be rated +85 °C (minimum).

 WARNING - Monitor includes external plastic parts and presents Electrostatic Hazard: Clean Only with a Damp Cloth.

WARNING - Do not install on an external source of heating or cooling e.g. by hot/cold air blowing temperature units

WARNING - Locate monitor to prevent propagating brush discharges

WARNING - Monitor should not be opened when energised or an explosive atmosphere may be present. The cover screws (13) must be loosened before opening and re-tightened before the monitor re-enters service.

The maximum constructional gap (i_c) is less than that required by Table 1 of IEC 60079-1:2007 clause 5.2.2 as detailed below:

Flamepath - Through Shafts and Main Body Flange
Max Gap (mm) - 0.13
Comment - Cylindrical Spigot Joint

Maintenance

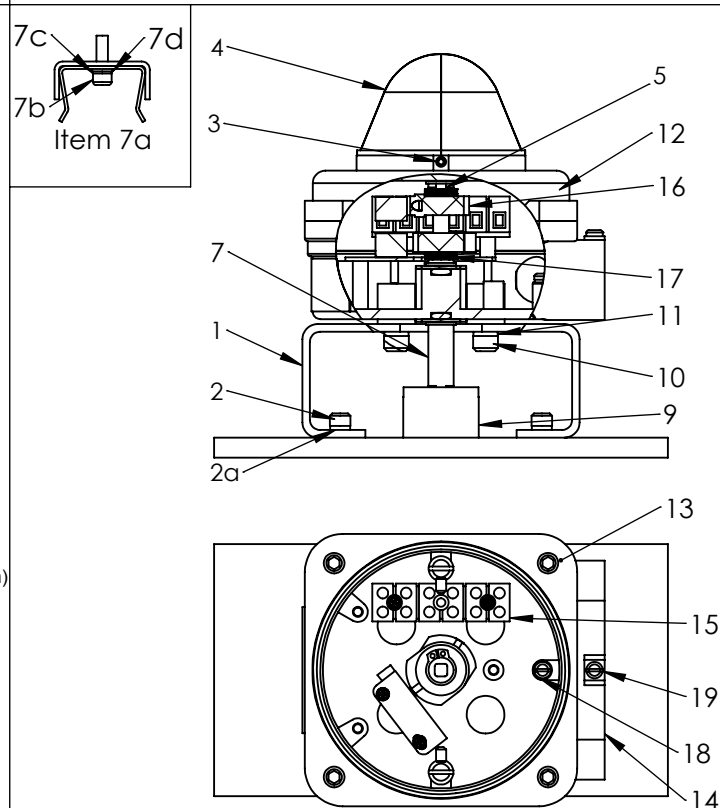
The Type SRX requires no servicing during normal working life, if installed correctly. However, it is advisable to check mounting screws/bolts, o-rings and terminal wiring for signs of loosening or corrosion as part of the routine plant maintenance to ensure continued operation. Ensure safety warnings are observed during maintenance. Inspection & maintenance to ATEX/IECEX flameproof enclosures to be carried out by suitably trained personnel with applicable code of practice (eg IEC/EN60079-17). Repairs to Type SRX ATEX/IECEX flameproof enclosures are not permitted. Please consult factory.

REV	DRAWN	DATE	CHK'D	ECO
	PT	14.8.14		14-2270

Imtex Controls Limited
Deeside - United Kingdom

Website: www.imtex-controls.com

Reference Diagram



Additional Instructions for Safe Use

The certification for this monitor relies upon the following materials used in its construction:

- Stainless Steel
- EDPM 70

If the equipment is likely to come into contact with aggressive substances, then it is the responsibility of the user to take suitable precautions that prevent it from being adversely affected, thus ensuring that the type of protection provided by the equipment is not compromised. Aggressive substances might be: acidic liquids or gases that attack Stainless Steel, or direct and prolonged contact with some Hydrocarbons that could affect the seals. Regular checks/inspections should be carried out if aggressive substances are present.

TITLE:
Installation, Operating & Maintenance
SRX - Exd - ATEX/IECEX

DWG NO. **A190316**

REV -
STATUS
R

Further Setting Instructions

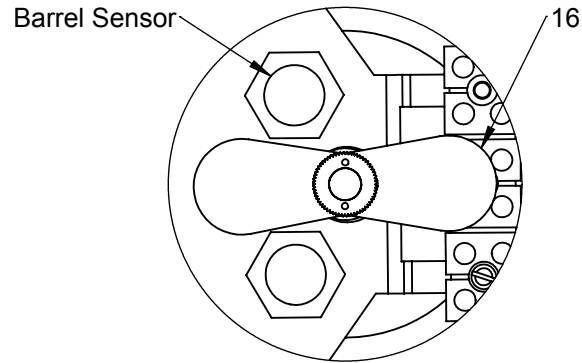
Certification

Cable Entries

Barrel/Slot Sensor Setting

Drive the actuator to the first required indication position and set the first switch by pushing round the lower metal shim on the shaft (16) to cover the sensor.

Repeat the process for each sensor in-turn by driving the actuator to the indication position and adjusting the appropriate shim to cover the corresponding sensor.



Transmitter Setting

NOTE: The Type SRX Transmitter is factory set to provide position information over a 90 Degree span. Specific information on the method for setting the zero and span for the transmitter option supplied is detailed on the attached Set Up Sheet.

Drive the actuator to the position intended to indicate the 'low' signal. Set the zero point for the transmitter either locally (when available) or using suitable configuration software. Drive the actuator to the position intended to indicate the 'high' signal. Set the span point either locally (where applicable) or using suitable configuration software.

To set the switches/sensors, if supplied, refer to page one of these instructions.

Classification:

Exd IIB T6 Gb
Ex t IIIC T85°C Db IP6X

The number and type of cable entry on the Monitor can be determined by reference to the 7th digit of the monitor part number. For example, in part number -

SRX16S5SR-100

the seven digit is a '5' which corresponds to the monitor having 2 off M20 x 1.5 cable entry. Refer to table below for details.

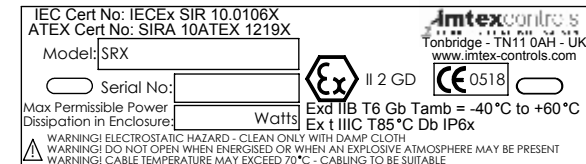
CABLE ENTRY GUIDE	
DIGIT	ENTRIES SUPPLIED
5	(2) M20 x 1.5
B	(2) 1/2" NPT

NPT Threads conform to ANSI/ASME B1.20.1 and shall be made up wrench tight

Metric Thread tolerance to ISO 965-1 and ISO 965-3

Product Markings

The label on the monitor should be as below:



NOTE: The year of manufacture of the monitor can be obtained from the last 2 digits of the serial number

Referenced Standards

The following standards have been referred to in these instructions and are applicable to the use of this product when used in an environment where an explosive atmosphere may be present:

- IEC 60079-0:2011
- IEC60079-1:2007
- IEC 60079-31:2008
- EN60079-0:2009
- EN60079-1:2007
- EN60079-31:2009

REV	DRAWN	DATE	CHK'D	ECO
	PT	14.8.14		14-2270

TITLE:
Installation, Operating & Maintenance
SRX - Exd ATEX/IECEx

This private & confidential drawing is the property of Imtex Controls Limited, Tonbridge, UK and cannot be copied or reproduced without the express written permission of the Company.

Imtex Controls Limited
Deeside - United Kingdom

Website: www.imtex-controls.com

DWG NO. **A190316**

REV -
STATUS
R

ELECTRICAL CHARACTERISTICS ('X' Indicates the applicable Rating(s))

SRX16 & 55 - Mechanical w/ Silver Contacts

Electrical Ratings: 10.0A @ 125/250VAC
 0.5A @ 125 VDC
 Temp Range: -40 to +60 °C
 Operating Life: 400,000 Cycles

Not recommended for circuits operating less than 20mA @24VDC

SRX17 & 56 - Mechanical w/ Gold Contacts

Electrical Ratings: 1.0A @ 125VAC
 0.5A @ 30 VDC
 Temp Range: -40 to +60 °C
 Operating Life: 100,000 Cycles

Recommended for use in 24VDC computer input circuits

SRX40 & 59 - Maxx-Guard SPST(Hermetically Sealed Reed)

Electrical Ratings: 0.15A @ 125VAC / 30VDC
 Max Voltage Drop: 0.1 V @ 10mA /0.5 V @ 100mA
 Temp. Range: -40 to +60°C
 Operating Life: 5,000,000 Cycles

SRX25 & 58 - Maxx-Guard SPDT(Hermetically Sealed Reed)

Electrical Ratings: Max Current: 3 Amps
 Max Power: 100 Watts/VA
 Min Power: 2 Watts
 Max Voltage Drop: 0.1 V @ 10mA / 0.5 V @ 100mA
 Temp. Range: -40 to +60°C
 Operating Life: 5,000,000 Cycles
 Not recommended for use in 24VDC operating at <20mA

SRX25 & 58 - Maxx-Guard SPDT(Optional Rhodium Contact Version)

Electrical Ratings: 0.3A @ 24VDC
 0.2A @ 120VAC
 Max Voltage Drop: 0.1 V @ 10mA / 0.5 V @ 100mA
 Temp. Range: -40 to +60°C
 Operating Life: 5,000,000 Cycles

SRX25 & 58 (-xSW) - SPDT Reed Switch

Electrical Ratings: 1.0A Max (Current)
 120V Max (Voltage)
 10W/VA Max (Power)
 Temp. Range: -40 to +60 °C
 Operating Life: 5,000,000 Cycles

SRX42 & 52 - NAMUR Proximity Sensor

Current Ratings: Target Present - Current < 1.0mA
 Target Absent - Current > 3.0mA
 Voltage Range: 5 to 25VDC (nominal 8VDC)
 Temp. Range: -25 to +60°C
 Operating Life: Unlimited Cycles

Use with intrinsically safe repeater barrier. Namur sensors fully conform to EN60947-5-6 (VDE0660 Part 212) standard.

SRX43 & 53 - NAMUR Proximity Sensor

Current Ratings: Target Present - Current < 1.0mA
 Target Absent - Current > 3.0mA
 Voltage Range: 5 to 25VDC (nominal 8VDC)
 Temp. Range: -40 to +60°C
 Operating Life: Unlimited Cycles

Use with intrinsically safe repeater barrier. Namur sensors fully conform to EN60947-5-6 (VDE0660 Part 212) standard.

SRX70 - Analogue Transmitter - PCB Style

Supply Voltage: 10 to 40VDC
 Max Loading: 700 Ohms @ 24VDC
 Linearity Error: ±0.85° (max) - Standard
 ±0.35° (max) - High Performance
 Op Temp Range: -40 to +60 Deg C

SRX70 - Analogue Transmitter - Non-Contact Style

Supply Voltage: 12 to 24VDC
 Load Impedance: R< (U - 9) / 0.02
 Linearity: < 1% of FS
 Repeatability: < 0.36°
 Op Temp Range: -40 to +60 Deg C

SRX70 - Analogue/Digital Transmitter - Programmable

Supply Voltage: 8 to 30VDC
 Internal Consumption: 25mW to 0.8W
 Voltage Drop: 8VDC
 Warm Up Time: 5 min
 Comms Link: Loop
 Signal / Noise Ratio: min 60 dB
 Min Response Time: 0.33 s
 Calibration Temp: +20 to +28 Deg C
 Op Temp Range: -40 to +60 Deg C

Other Details (see Individual Specification Sheet)

REV	DRAWN	DATE	CHK'D	ECO
	PT	14.8.14		14-2270

TITLE:

Installation, Operating & Maintenance
 SRX - Exd - ATEX/IECEx

This private & confidential drawing is the property of Imtex Controls Limited, Tonbridge, UK and cannot be copied or reproduced without the express written permission of the Company.

Imtex Controls Limited
 Deeside - United Kingdom

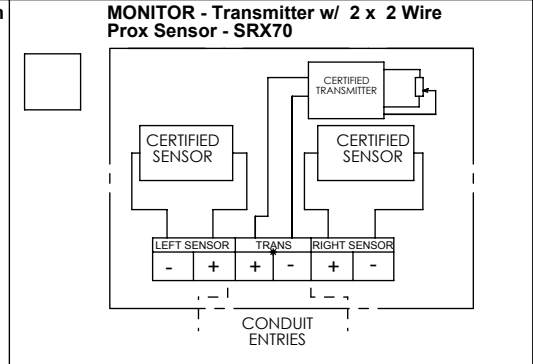
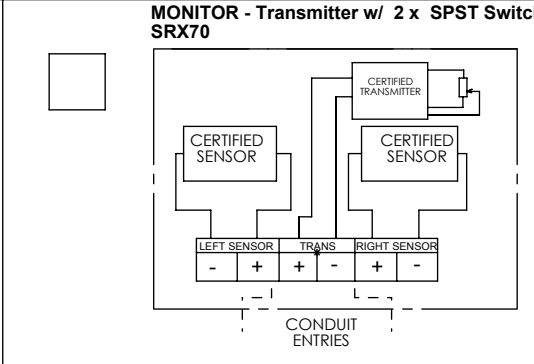
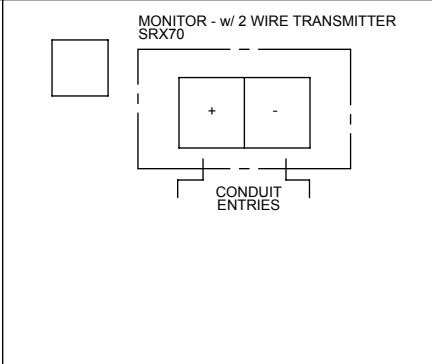
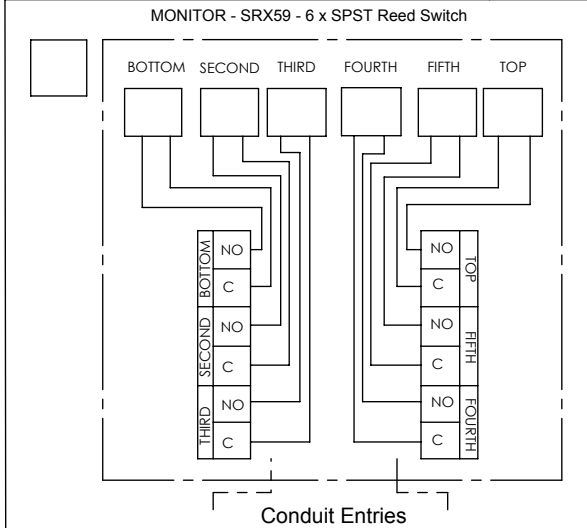
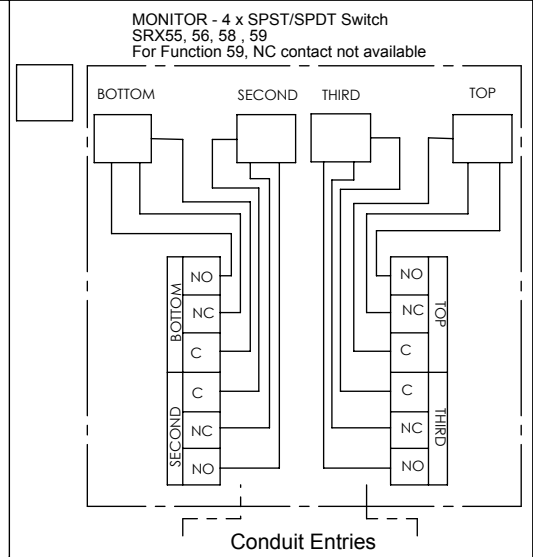
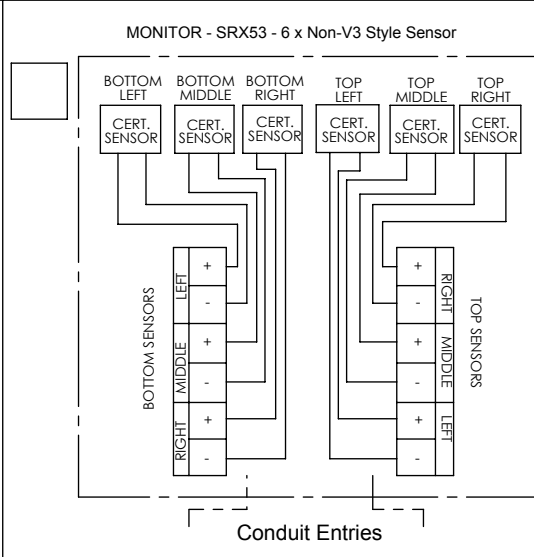
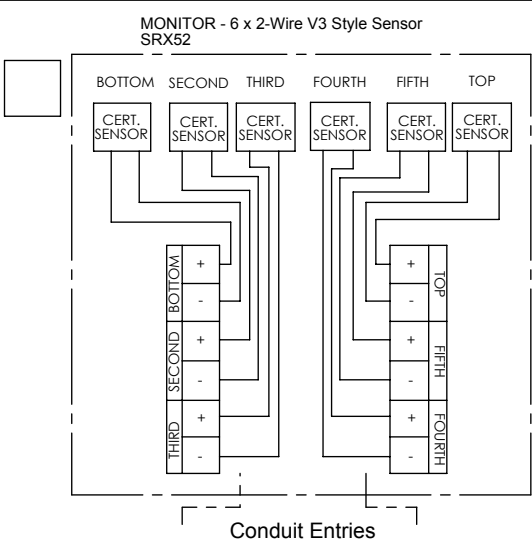
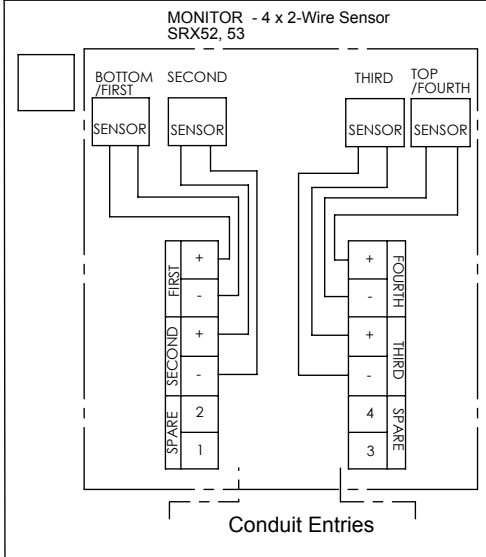
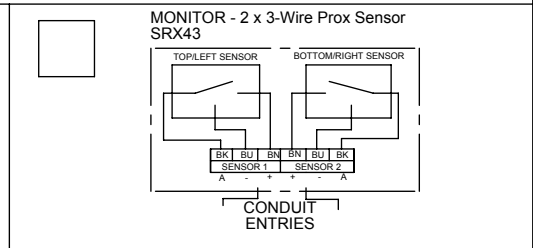
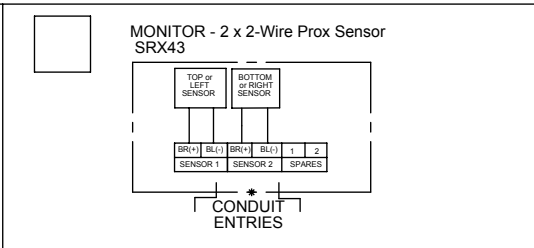
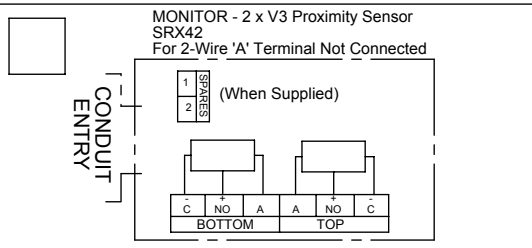
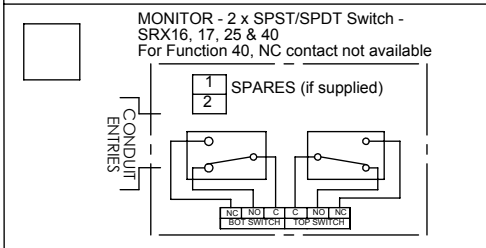
Website: www.imtex-controls.com

DWG NO.

A190316

REV
-
STATUS
R

WIRING DIAGRAMS ('X' Indicates the applicable diagram)



REV	DRAWN	DATE	CHK'D	ECO
	PT	14.8.14		14-2270

TITLE:
Installation, Operation and Maintenance
SRX - Exd - ATEX/IECEx

This private & confidential drawing is the property of Imtex Controls Limited, Tonbridge, UK and cannot be copied or reproduced without the express written permission of the Company.

Imtex Controls Limited
Deeside - United Kingdom

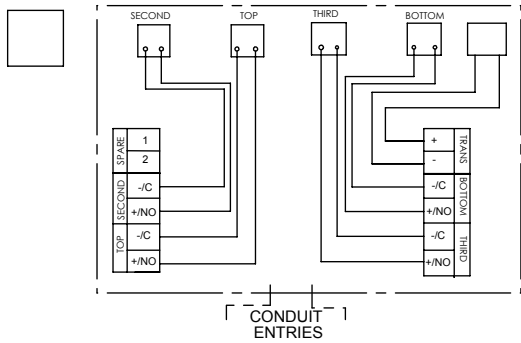
Website: www.imtex-controls.com

DWG NO. **A190316**

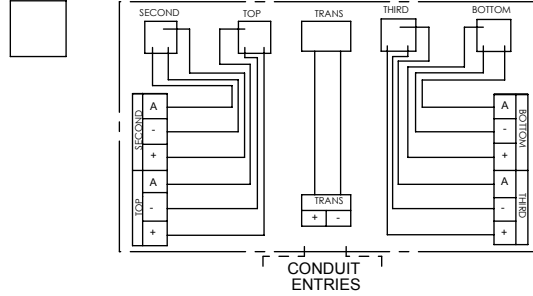
REV -	STATUS
R	R
SHEET 4 OF 5	
A4	

WIRING DIAGRAMS ('X' Indicates the applicable diagram)

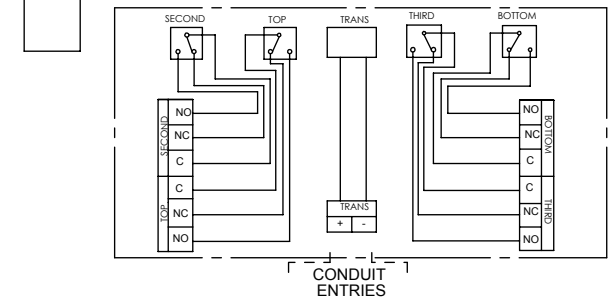
MONITOR - 4 x V3 Prox (2-Wire) or SPST Switch & Transmitter SRX70



MONITOR - 4 x V3 Prox (3-wire) & Transmitter SRX70



MONITOR - 4 x SPDT & Transmitter SRX70



SPECIAL NOTES:

REV	DRAWN	DATE	CHK'D	ECO
	PT	14.8.14		14-2270

TITLE:

Installation, Operation and Maintenance
SRX - Exd - ATEX/IECEx

This private & confidential drawing is the property of Imtex Controls Limited, Tonbridge, UK and cannot be copied or reproduced without the express written permission of the Company.

Imtex Controls Limited
Deeside - United Kingdom

Website: www.imtex-controls.com

DWG NO.

A190316

REV
-
STATUS
R