

Introduction

Type SLR Valve Position Monitors are designed to provide high accuracy feedback of valve position to plant control systems. These instructions outline the requirements for ensuring a long and trouble free service life from the monitors.

Installation - Mounting

Where the mounting kit and monitor are supplied separately, attach mounting bracket (1) to the SLR monitor using M6 fasteners (2).

When the SLR monitor is supplied with the 2 pin 'S' drive (4), attach coupler (3) to the 'S' drive (4) using screw supplied (5).

Fit the bracket (1) to the actuator (6) using the screws supplied with the kit (7). Ensure that the shaft drive of the SLR monitor engages with the actuator pinion (8).

Installation - Wiring & Switch Setting

Once the monitor is fitted to the actuator, remove cover (9) by loosening the cover lock screw (10), rotating counter-clockwise by about 30 degrees, and lifting clear. Lift the inner indicator (11) off of the spline drive (12).

Bring field wiring into the enclosure via the conduit entries (13) fitted with a suitable cable gland. Use blanking plugs to block off any un-used cable entries. NOTE: Suitable IP rated glands and plugs must be used to maintain monitor IP rating.

Connect field wiring to the terminals (14) within the enclosure according to the wiring diagram and terminal labelling.

Drive the actuator to the first required indication position and set the bottom switch (19) by lifting and rotating the bottom cam (15). Secure the cam by allowing it to fully re-engage with the spline (16).

Repeat the process for the top switch (20) by driving the actuator to the second indication position. Then, push down the top cam (17), rotate it and re-engage with the spline (18).

Once completed, verify that indication is as required by fully stroking the actuator. Ensure the field wiring is stowed in such a way as to not foul the indicator when refitted. Refit the inner indicator (11) by gently pushing the indicator down onto the drive spline (12). Refit the cover (9) by aligning the locking lugs on the cover and housing and rotating clockwise until the locking screw (10) aligns with the threaded hole in the housing.

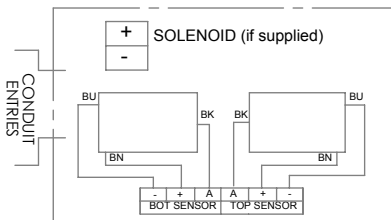
Before securing the cover lock screw (10), check that the visual indicator correctly indicates valve position. If not, remove the cover (9), lift the indicator (11) from the drive spline (12) and rotate as appropriate. Re-attach the inner indicator (11) to the spline drive (12). Refit the cover (9) as previously described.

Secure the cover lock screw (10).

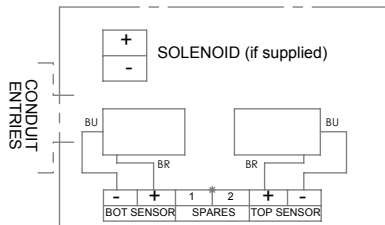
Maintenance

The Type SLR should offer years of reliable service, if installed correctly. However, it is advisable to check mounting screws/bolts, o-rings and terminal wiring for signs of loosening or corrosion as part of routine plant maintenance to ensure continued trouble free operation.

**MONITOR - SLR42
2 x V3 Sensor - 3-wire**



**MONITOR - SLR42
2 x V3 Sensor - 2-Wire**



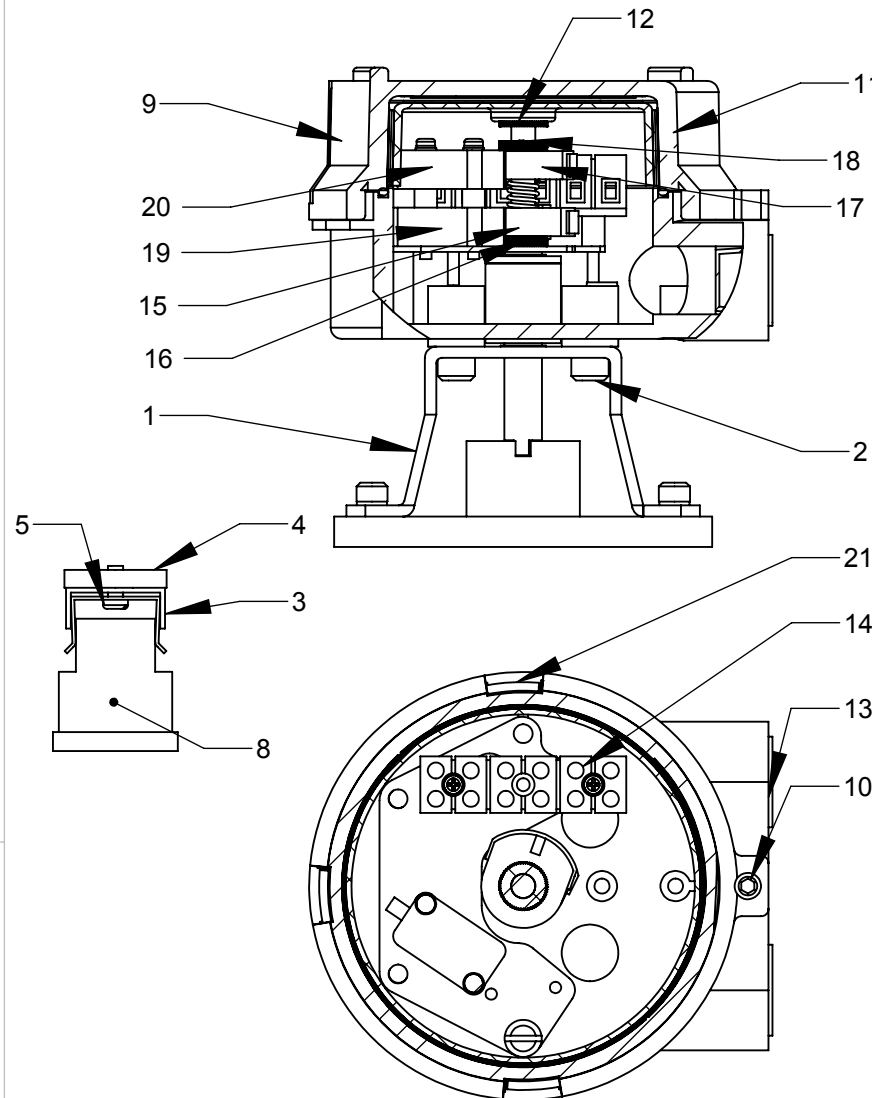
NAMUR Proximity Sensor- 2-Wire

Current Ratings: Target Present - Current < 1.0mA
Target Absent - Current > 3.0mA
Voltage Range: 5 to 25VDC (nominal 8VDC)
Temp Range: -25 to +72 Deg C
Operating Life: Unlimited Cycles

Use with intrinsically safe repeater barrier. Namur sensors fully conform to EN60947-5-6 (VDE0660 Part 212) standard.

Proximity Sensor - 3-Wire

Electrical ratings depends on selected sensor



REV	DRAWN	DATE	CHK'D	ECO
	PT	11.10.07		07-644

UNLESS OTHERWISE SPECIFIED:
DIMENSIONS ARE IN MILLIMETERS
SURFACE FINISH:
TOLERANCES:
LINEAR:
ANGULAR:

TITLE:
Installation, Operating & Maintenance

SLR42

This private & confidential drawing is the property of Imtex Controls Limited, Tonbridge, UK and cannot be copied or reproduced without the express written permission of the Company.

Imtex Controls Limited
Unit 5A, Valley Industries, Hadlow Road
Tonbridge, Kent, TN11 0AH, United Kingdom
Tel: +44(0)1732-850360 Fax: +44(0)1732-852133
[Website: www.imtex-controls.com](http://www.imtex-controls.com)

DEBUR AND
BREAK SHARP
EDGES

MATERIAL:
WEIGHT(g):

DWG NO.

A190145

A4

SCALE:1:5

SHEET 1 OF 1