



Valve Position Monitor

IP.66 / 67 | Stainless Steel | Exd Flameproof



Modbus®

DeviceNet.



Type SRX CF8M (316) stainless steel ATEX / IECEx dual Certified Ex d valve position monitor provides a high integrity system ideally suited for zone 1 & 2 hazardous area locations typically found in the offshore, marine and coastal process industries. The IP66 / 67 enclosure has a bolt-on cover and top mounted high visibility open / close position indicator.

Overview

- CF8M (316) stainless steel enclosure for superior corrosion protection and mechanical resistive properties.
- ATEX / IECEx Certified II 2 GD / Ex d IIB T6 flameproof for zone 1 & 2 hazardous areas.
- Ingress protection IP.66 / 67 to protect internal electrical components from the harshest environments.
- Available with 2 x M20 conduit entries as standard (½" NPT versions are optional).
- Switch / sensor terminations via. European approved terminal blocks.
- Different electrical switch / sensor functions available including mechanical, reed proximity and inductive proximity.
- Continuous feedback versions available with 4 to 20mA non-contact and programmable HART transmitters.
- Bus communication versions available On Request including AS-Interface, DeviceNet, Foundation Fieldbus and Modbus protocols.
- Touch and tune quick setting cams allow for fast and simple switch / sensor adjustments.
- Compact design with bolt-on cover and top mounted high visibility open / close position indicator.
- As standard, supplied with F05 mounting holes & Namur drive shaft to suit VDI/VDE.3845 topworks actuators (bracket required).
- Special mounting kits available to suit non-standard topworks quarter-turn and linear stroke actuators.



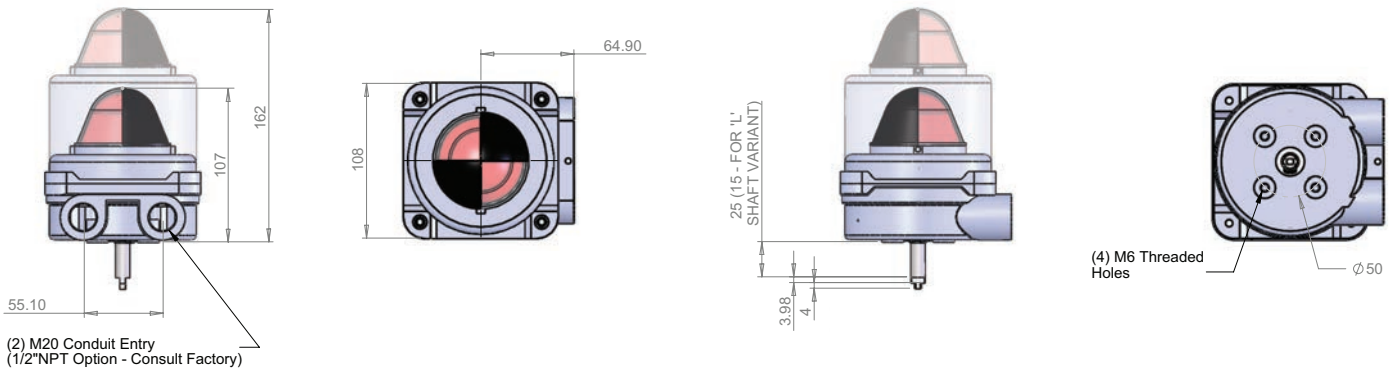
Ex marking: II 2 GD | Ex d IIB T6 Gb | Ex t IIIC T85°C Db | T_{amb} = -40°C to +60°C

Certificate Number: Sira 10ATEX1219X | IECEx SIR 10.0106X | TR CU RU C-GB-D07.B.01792/2



Valve Position Monitor

IP.66 / 67 | Stainless Steel | Exd Flameproof



Model Number Compilation (Drawing No. A190214)

Type	Electrical Function	Material of Construction	Conduit Size	Output Drive	Visual Indicator	Feature
SRX	16	S	5	M	R	- 100

Code	Electrical Function - Standard Options ¹
14	(2) DPDT Mechanical Switches
16 / 55	(2) / (3 to 6) SPDT Mechanical Switches
17 / 56	(2) / (3 to 6) SPDT Mechanical Switches 'GP' Contacts
25 / 58	(2) / (3 to 6) SPDT Reed Proximity Switches
40 / 59	(2) / (3 to 6) SPST Reed Proximity Switches
42 / 52	(2) / (3 to 6) V3 Inductive Proximity Sensors
43 / 53	(2) / (3 to 6) Other Inductive Proximity Sensors
70	4 to 20mA Transmitter (Non-contact) / HART Optional
Material of Construction (Enclosure)	
S	CF8M (316) Stainless Steel
Conduit Size	
5	(2) M20 x 1.5
B	(2) NPT - 2 x 1/2"

Code	Output Drive
L	Namur 15mm
M	Namur 25mm
S	2-pin Coupler
Visual Indicator*	
R	Red (Closed) / Green (Open)
B	Blue (Closed) / White (Open)
E	Red (Closed) / Yellow (Open)
W	Red (Closed) / White (Open)
Y	Dark Blue (Closed) / Yellow (Open)
0	No Visual Indicator
*ABS material	
Feature	
lxx	Dual ATEX / IECEx Ex d IIB T6 Certified
'xx'	See Note ²

NOTES

- Other Electrical Functions are available 'On Request'.
- The exact detail of electrical function fitted or any other special feature is not fully specified by the basic model code, therefore, the Feature Designator provides a mechanism for cross referencing to a centralised engineering log which identifies the detailed specification of the parts fitted in the given unit.
- Please refer to our Product Overview leaflet for full specification of the Electrical Functions provided or consult our Technical Sales.
- The maximum permitted power that can be dissipated within a specific model is specified on Drawing No.A160189 and the electrical characteristics and ratings of the components fitted must not allow this value to be exceeded.
- Functions 14, 16, 17, 25, 40, 42 & 43 (cylindrical sensors up to 40mm long only) use a small cover, other functions use a tall cover.



Tel +44 (0)8700 340 002 Fax +44 (0)1732 852 133 Email sales@intex-controls.com
Sales & Administration Tonbridge (Kent) UK **Engineering & Production** Deeside (Flintshire) UK
www.intex-controls.com

Intex Controls Limited is constantly improving the specifications, design and production of its products and alterations take place continually. Whilst every effort is made to produce up to date literature this leaflet should not be regarded as an infallible guide to current specifications. E & OE.