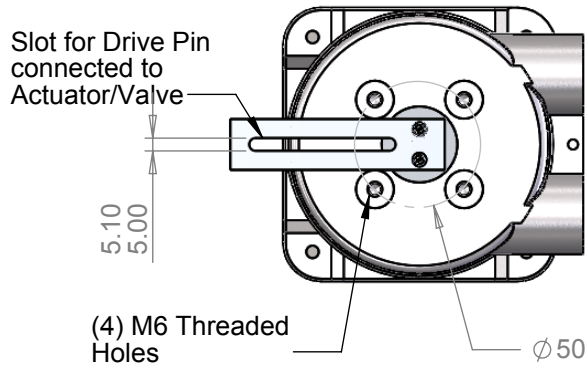


(2) M20 Conduit Entry
(1/2"NPT Option - Consult Factory)



REV	DRAWN	DATE	CHK'D	ECO
	PT	19.10.12		12-1945

UNLESS OTHERWISE SPECIFIED:
DIMENSIONS ARE IN MILLIMETERS
SURFACE FINISH: 3.2 microns
TOLERANCES:
LINEAR: ±0.25mm
ANGULAR: ±0.5°

TITLE:

SRX Monitor - General Dimensions

This private & confidential drawing is the property of Imtex Controls Limited, UK and cannot be copied or reproduced without the express written permission of the Company.

Imtex Controls Limited
Deeside, Flintshire
United Kingdom. Tel:+44(0)870-0340002
[Website: www.imtex-controls.com](http://www.imtex-controls.com)

DEBUR AND
BREAK SHARP
EDGES
MATERIAL: 316SS
WEIGHT(g): 1.9kg / 2.4kg

DWG NO.

SRX-DIM005

SCALE:1:3

SHEET 1 OF 1

REV
-
STATUS
-
A4