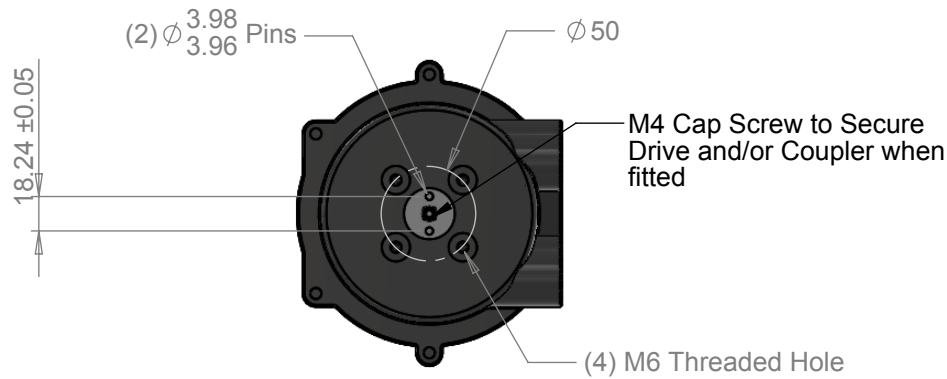


(2) M20 Conduit Entry
(other entries on request)



REV	DRAWN	DATE	CHK'D	ECO
	PT	24.7.16		

UNLESS OTHERWISE SPECIFIED:
DIMENSIONS ARE IN MILLIMETERS
SURFACE FINISH: 3.2 microns
TOLERANCES:
LINEAR: ±0.25mm
ANGULAR: ±0.5°

TITLE:

Valve Position Monitor

This private & confidential drawing is the property of Imtex Controls Limited, UK and cannot be copied or reproduced without the express written permission of the Company.

Imtex Controls Limited
Deeside, Flintshire
United Kingdom. Tel: +44(0)870-0340002
Website: www.imtex-controls.com

DEBUR AND
BREAK SHARP
EDGES

MATERIAL: Aluminium

WEIGHT(g): 1.1kg

DWG NO.

SRA-DIM013

SCALE: 1:4

SHEET 1 OF 1

REV	-
STATUS	-
	A4