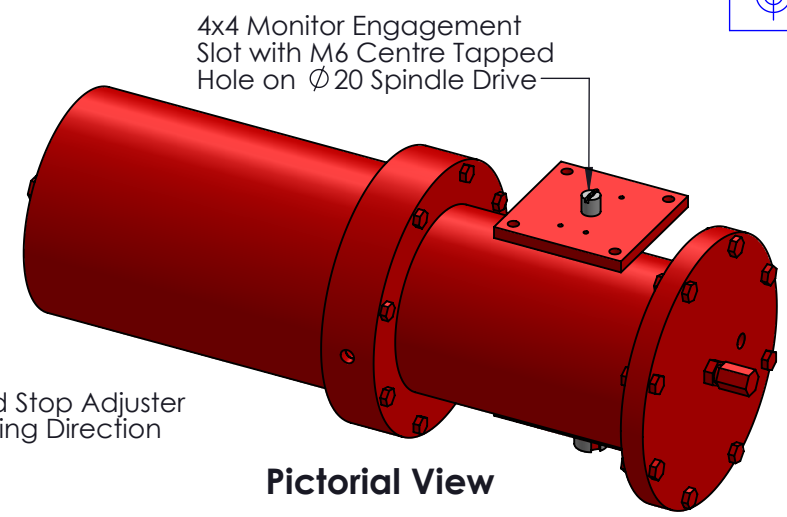
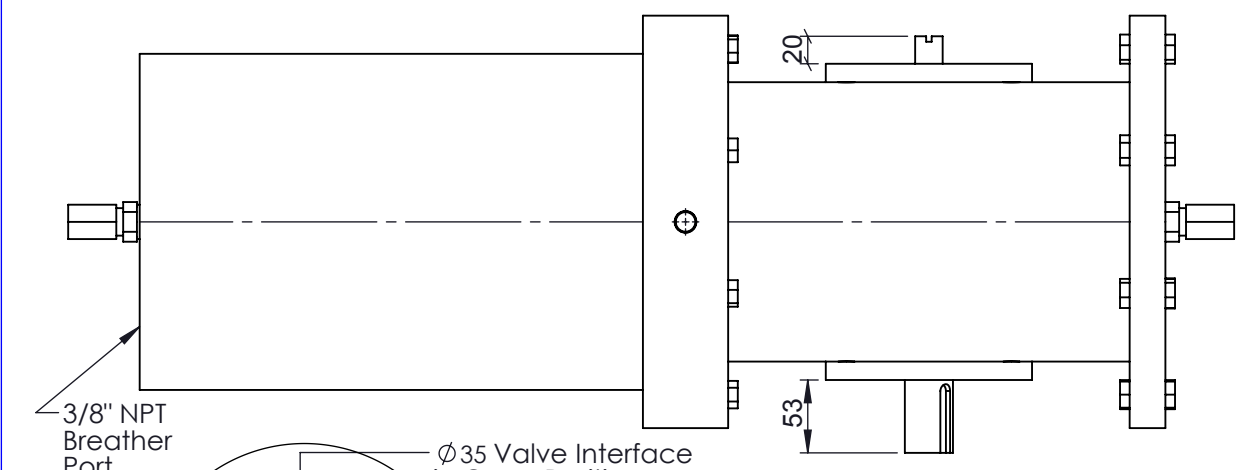


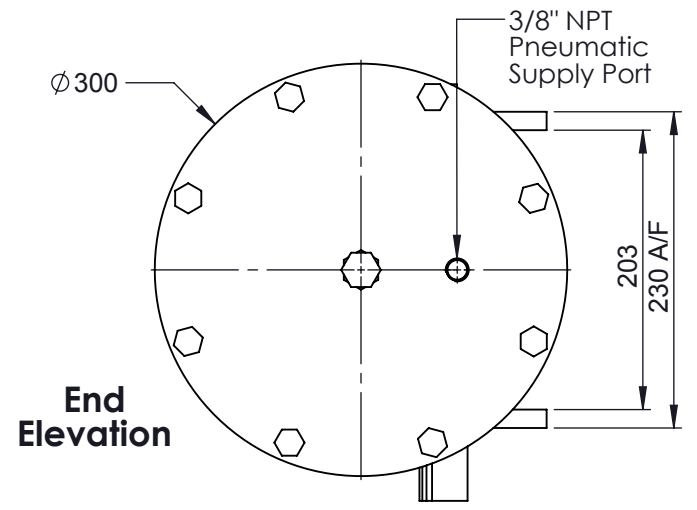
Plan View



Pictorial View

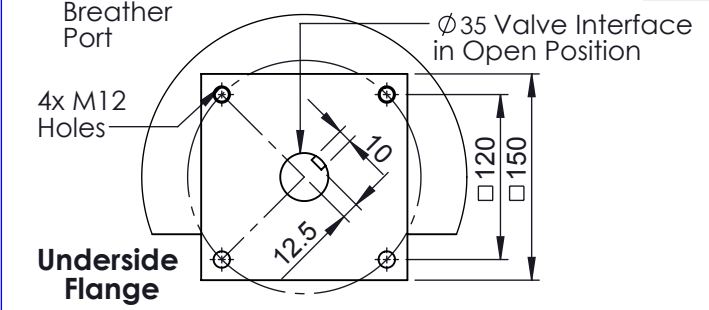


Front Elevation



End Elevation

SR - Swept Volume 7.23 litres



Underside Flange

REV	DRAWN	DATE	CHK'D	ECO
	KY	31/1/14		14-2179
A				
B				
C				
D				
E				

Unless specified otherwise
 Dimensions in : mm
 Surface Finish : 3.2
 Tolerances
 Linear : ± 0.25mm
 Angular : ± 0.5°

TITLE:
S75 SR Camtorc Pneumatic Actuator - Fail Open Fabricated Body General Dimensions

This private & confidential drawing is the property of Camtorc Actuators, UK and must not be copied or reproduced without the express written permission of the Company.



CAMTORC Actuators
 UK Tel : +44(0) 8700 340002
 www.camtorc.com

For reference and information only
 MATERIAL: Carbon Steel

DRG No:
S75FO-DIM006

ACTIVE
 STATUS
 A4