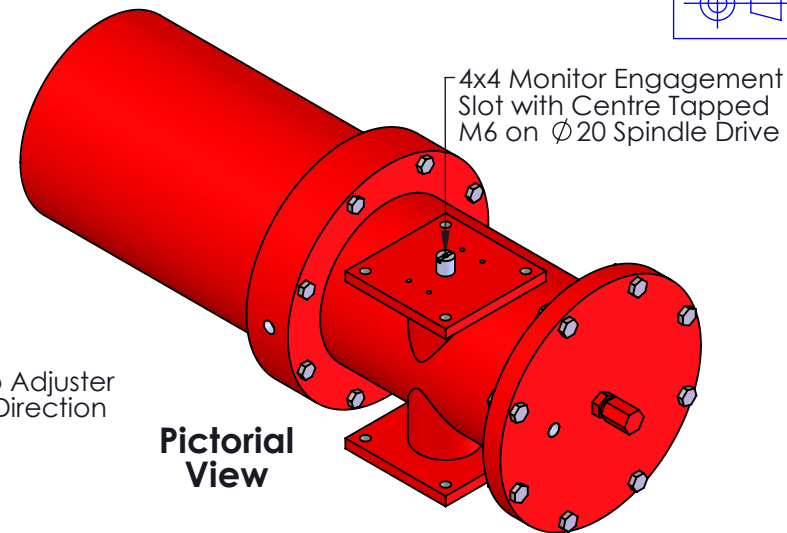
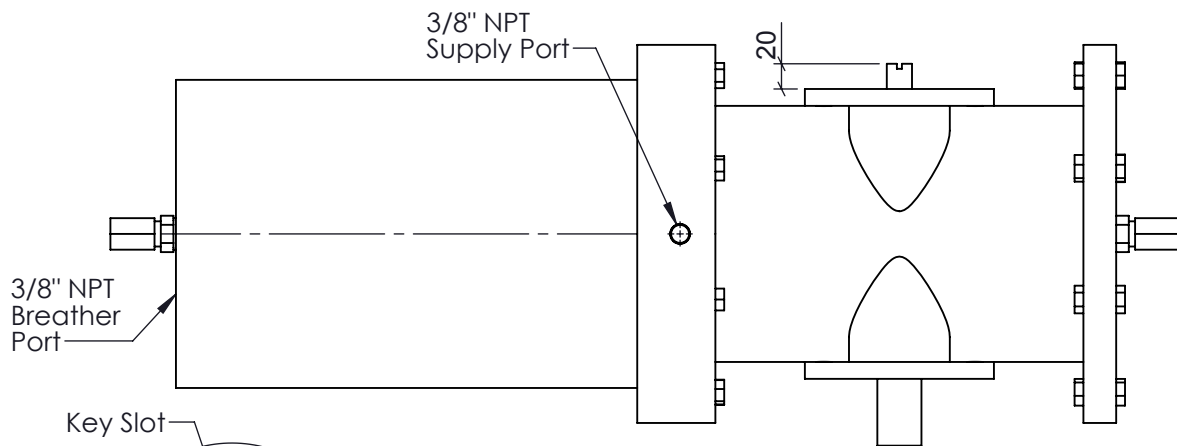


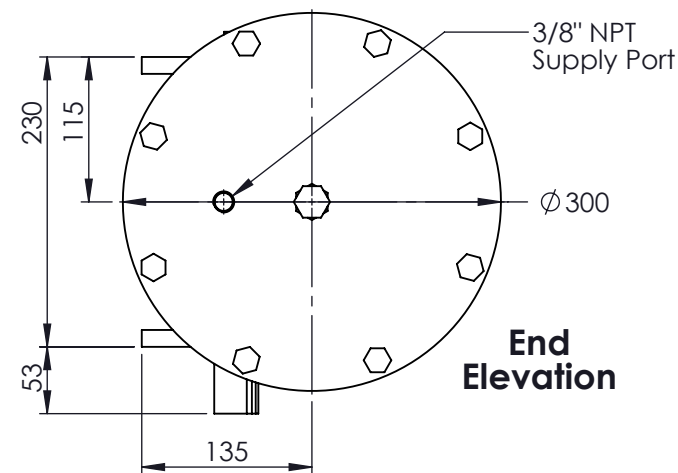
Plan View



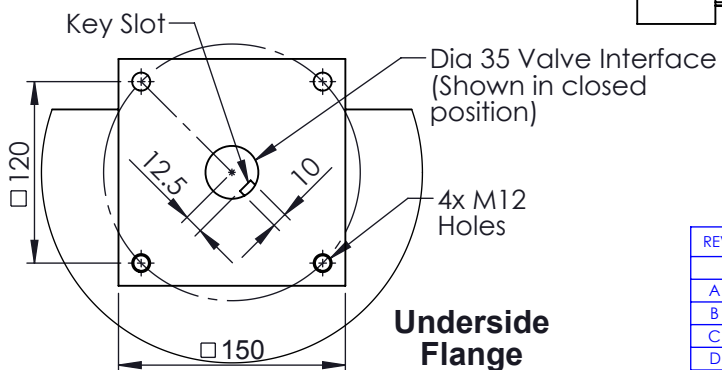
Pictorial View



Front Elevation



End Elevation



Underside Flange

SR - Swept Volume : 7.23 Litres

REV	DRAWN	DATE	CHK'D	ECO
	KY	14/1/14		14-2179
A				
B				
C				
D				
E				

Unless specified otherwise

Dimensions in : mm
 Surface Finish : 3.2
 Tolerances
 Linear : ± 0.25mm
 Angular : ± 0.5°

TITLE:

S75 SR Actuator - Pneumatic Fail Close / Fabricated Body - General Dimensions

DRG No:

S75FC-DIM005

ACTIVE

STATUS

This private & confidential drawing is the property of Camtorc Actuators, UK and must not be copied or reproduced without the express written permission of the Company.



CAMTORC Actuators
 UK Tel : +44(0) 8700 340002
 www.camtorc.com

For reference and information only

MATERIAL: Carbon Steel

ESTIMATED WEIGHT (Kg): 102.8 Approx.

SCALE

SHEET 1 OF 1

A4