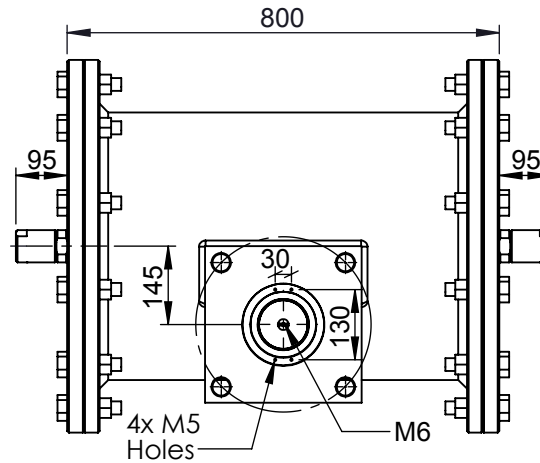
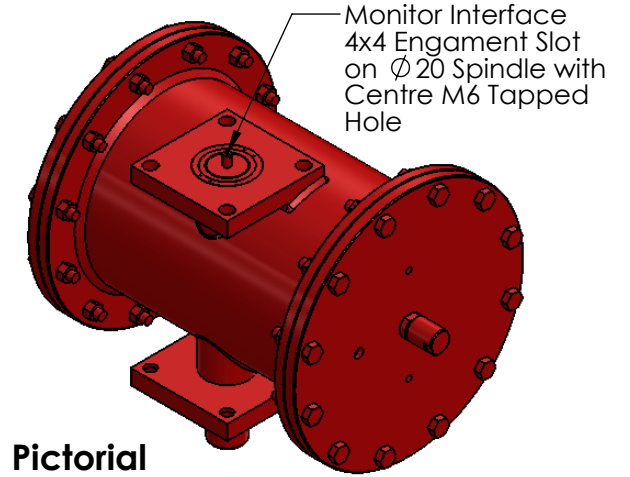


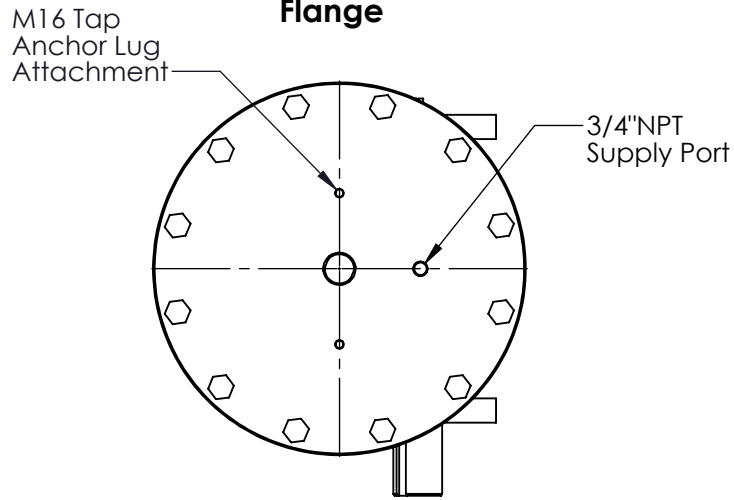
Underside Flange



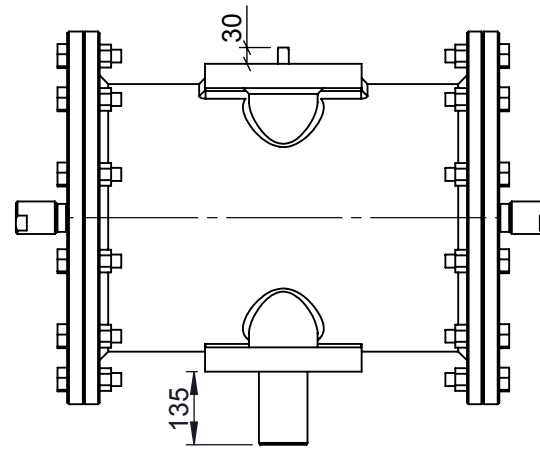
Plan View



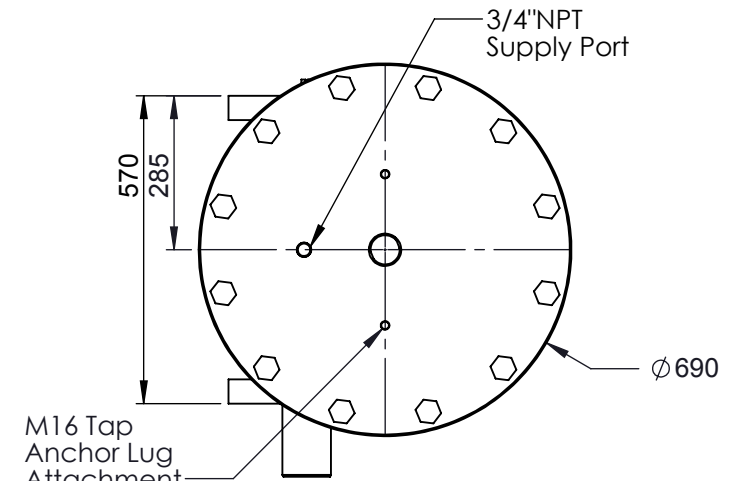
Pictorial View



Left Elevation



Front Elevation



Right Elevation

DA - Swept Volume (l) 39.56 litres

REV	DRAWN	DATE	CHK'D	ECO
	KY	26/3/14		14-2179
A				
B				
C				
D				
E				

Unless specified otherwise

Dimensions in : mm
Surface Finish : 3.2
Tolerances
Linear : ± 0.25mm
Angular : ± 0.5°

TITLE:

S180 Camtorc Pneumatic Actuator - DA
Fabricated Body General Dimensions

This private & confidential drawing is the property of Camtorc Actuators, UK and must not be copied or reproduced without the express written permission of the Company.

CAMTORC Actuators
UK Tel : +44(0) 8700 340002
www.camtorc.com

For reference and information only

MATERIAL: Carbon Steel

ESTIMATED WEIGHT (Kg): 732.0 Kg Approx

DRG No:

S180DA-DIM004

SCALE :-

SHEET 1 OF 1

ACTIVE

STATUS

A4