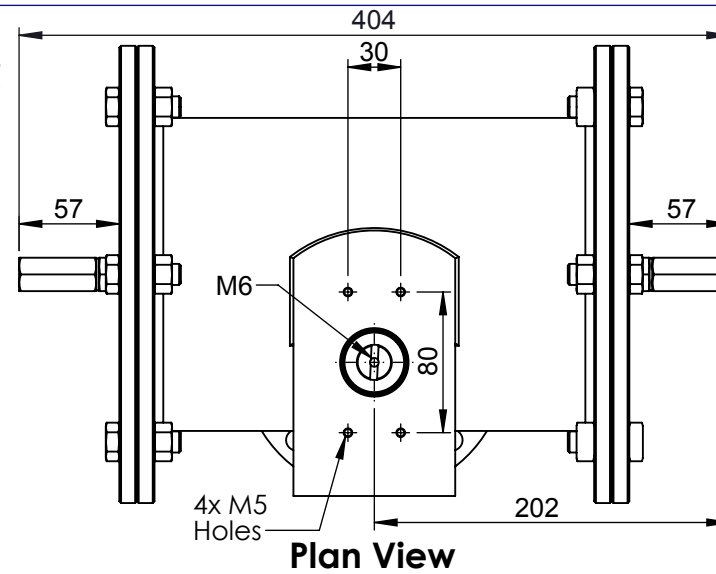
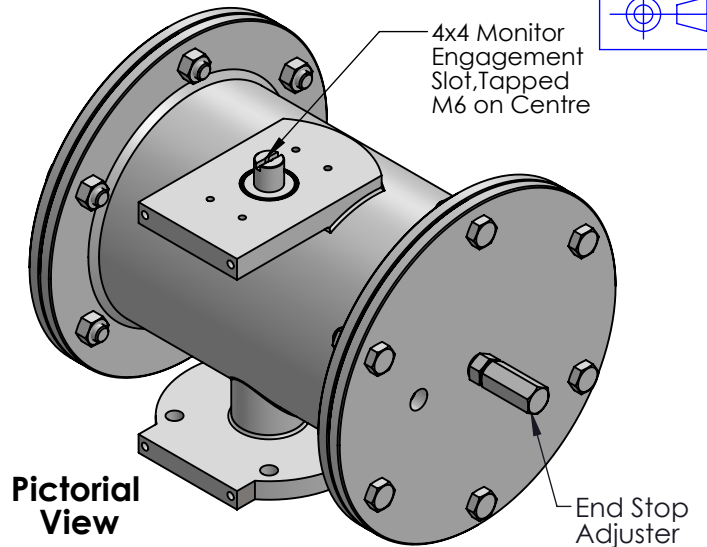


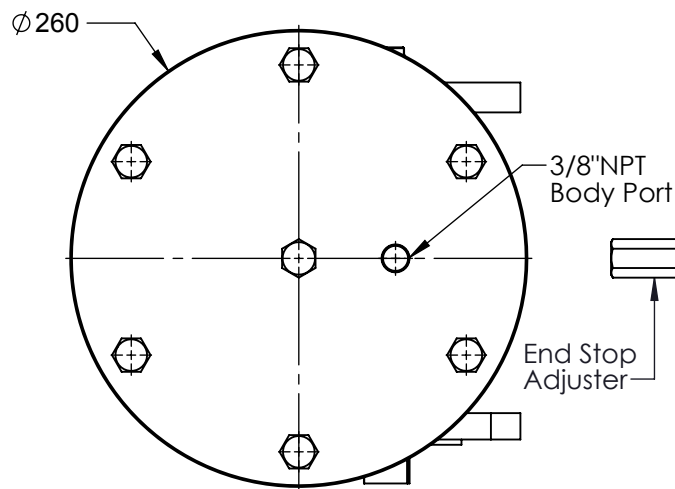
Underside Flange



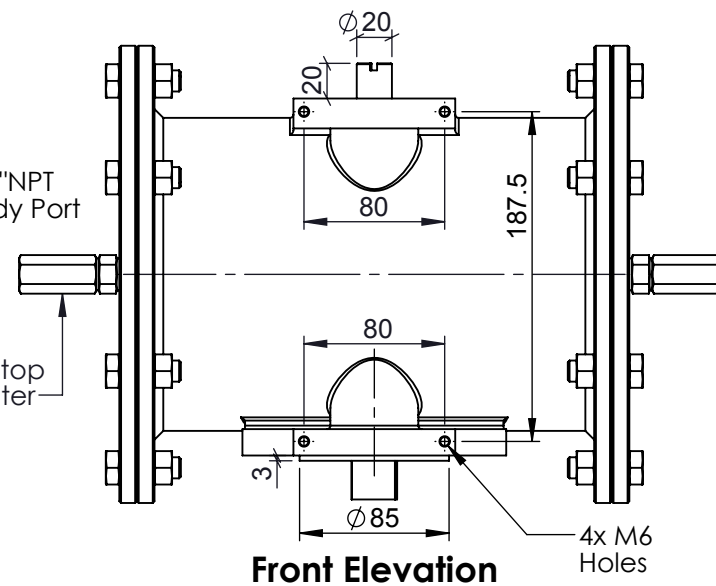
Plan View



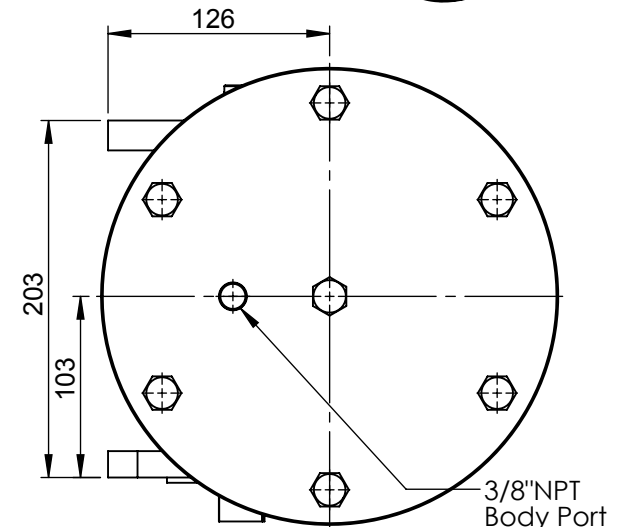
Pictorial View



Left Elevation



Front Elevation



Right Elevation

SR - Swept Volume (l) 3.51 litres

REV	DRAWN	DATE	CHK'D	ECO
	KY	30/5/2018		
A				
B				
C				
D				
E				

Unless specified otherwise

Dimensions in : mm
Surface Finish : 3.2
Tolerances
Linear : $\pm 0.25\text{mm}$
Angular : $\pm 0.5^\circ$

TITLE:

S/SX65 Actuator -Pneumatic
DA/Cast Body - General
Dimensions

This private & confidential drawing is the property of Camtorc Actuators, UK and must not be copied or reproduced without the express written permission of the Company.



CAMTORC Actuators
UK Tel : +44(0) 8700 340002
www.camtorc.com

For reference and information only

MATERIAL:

ESTIMATED WEIGHT (Kg): 38.0 Kg Appox.

DRG No:

SX65DA-DIM001

ACTIVE

STATUS

A4

SCALE :-

SHEET 1 OF 1